



KM-1525

PARTS LIST

Published in Feb.'01
842BV120

Parts List

KM-1525

NOTE

1. Indicate parts number and machine model when placing an order.

eg.	Parts Number	Parts Name	Machine Model	Cycle	Quantity
	2BV04012	FRONT COVER	KM-1525	60Hz	1

2. Service calls and freight will be charged separately.

3. Symbols in the "Parts Number" column.

- Parts with "●" indicates the service parts and the parts without "●" can not be supplied.
- Parts with "•" are component parts or sub-assemblies of the assembly appearing immediately above them.

eg.	Parts Number	Parts Name	Parts Number	Parts Name
	2AV01030	POWER INLET ASS'Y	•L0023070	ROUND TYPE TYERMINAL, 173636-1
			•2AV27350	INLET, POWER SOURCE

4. See the last page of this parts list for the classification of the screws in the illustrations.

———— CONTENTS ————

FIG. 1 EXTERIOR COVERS	2	FIG. 8 LASER SCANNER UNIT	16
FIG. 2 FRAMES	4	FIG. 9 IMAGING UNIT	18
FIG. 3 CASSETTE	6	FIG. 10 FIXING SECTION	22
FIG. 4 PAPER FEED-IN SECTION	8	FIG. 11 DRIVING SECTION	24
FIG. 5 PAPER CONVEYING SECTION	10	FIG. 12 ELECTRICAL COMPONENTS	26
FIG. 6 ORIGINAL HOLDER	12	FIG. 13 OPERATION UNIT	28
FIG. 7 OPTICAL SECTION	14	FIG. 14 ACCESSORIES & OPTION	30
		• INDEX	32

FIG. 1 EXTERIOR COVERS

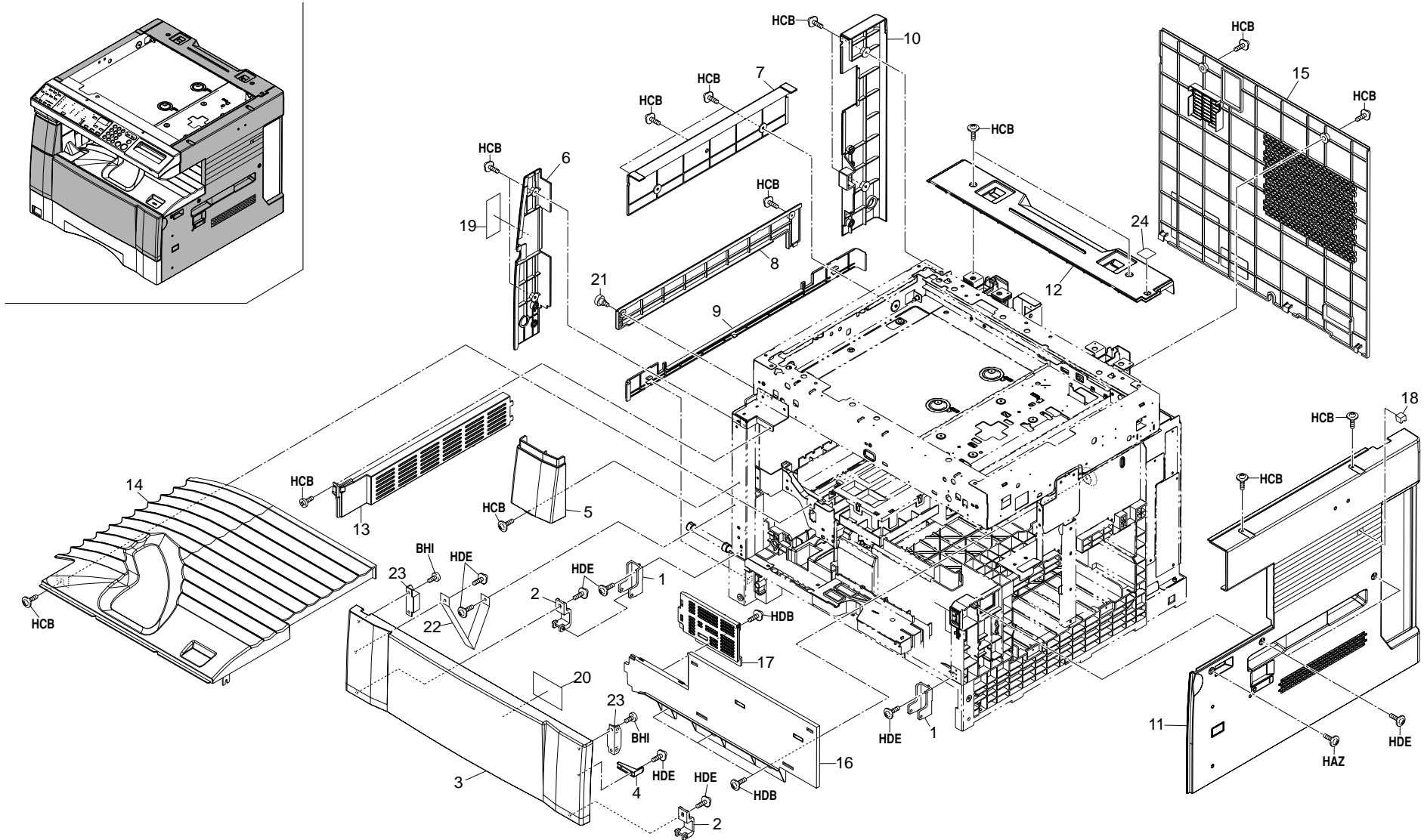


FIG. 1 EXTERIOR COVERS

2BV

SP	Ref. No.	Part. No.	Description	Quantity	
				230V	240V
	1	2AV02120	MOUNT HINGE	2	2
●	2	2AV02140	FRONT HINGE,COVER	2	2
●	3	2BV04060	COVER,FRONT	1	1
●	4	2AV04020	HOLDER SAFETY SWITCH	1	1
●	5	2AV04030	UPPER FRONT COVER	1	1
●	6	2AV04040	FRONT LEFT COVER	1	1
●	7	2AV04050	UPPER LEFT COVER	1	1
●	8	2AV04060	LEFT COVER,MIDDLE	1	1
●	9	2AV04070	LOWER LEFT COVER	1	1
●	10	2AV04080	REAR LEFT COVER	1	1
●	11	2AV04090	RIGHT COVER	1	1
●	12	2AV04100	REAR COVER SCANNER	1	1
●	13	2AV04160	UPPER COVER,EJECT	1	1
●	14	2AV04170	COVER,TRAY	1	1
●	15	2AV04190	REAR COVER	1	1
●	16	2AV04210	REAR COVER,TRAY	1	1
●	17	2AV04220	UPPER REAR COVER,TRAY	1	1
●	18	2AV04260	LID RIGHT COVER	1	1
●	19	2AV05050	LABEL,CONVEYING JAM	1	1
	20	2AC05130	LABEL,SUPPLY(EUR)	1	1
	21	48128107	PIN,CLEANING BLADE	1	1
	22	35904240	AUXILIARY PLATE,CONVEYING UNIT	1	1
	23	71804400	MAGNET,LOWER FRONT COVER	2	2
	24	2BV04050	UPPER REAR SEAL	1	1

- Parts with "●" are component parts or sub-assemblies of the assembly appearing immediately above them.
- Parts with "●" indicates the Service parts.

FIG. 2 FRAMES

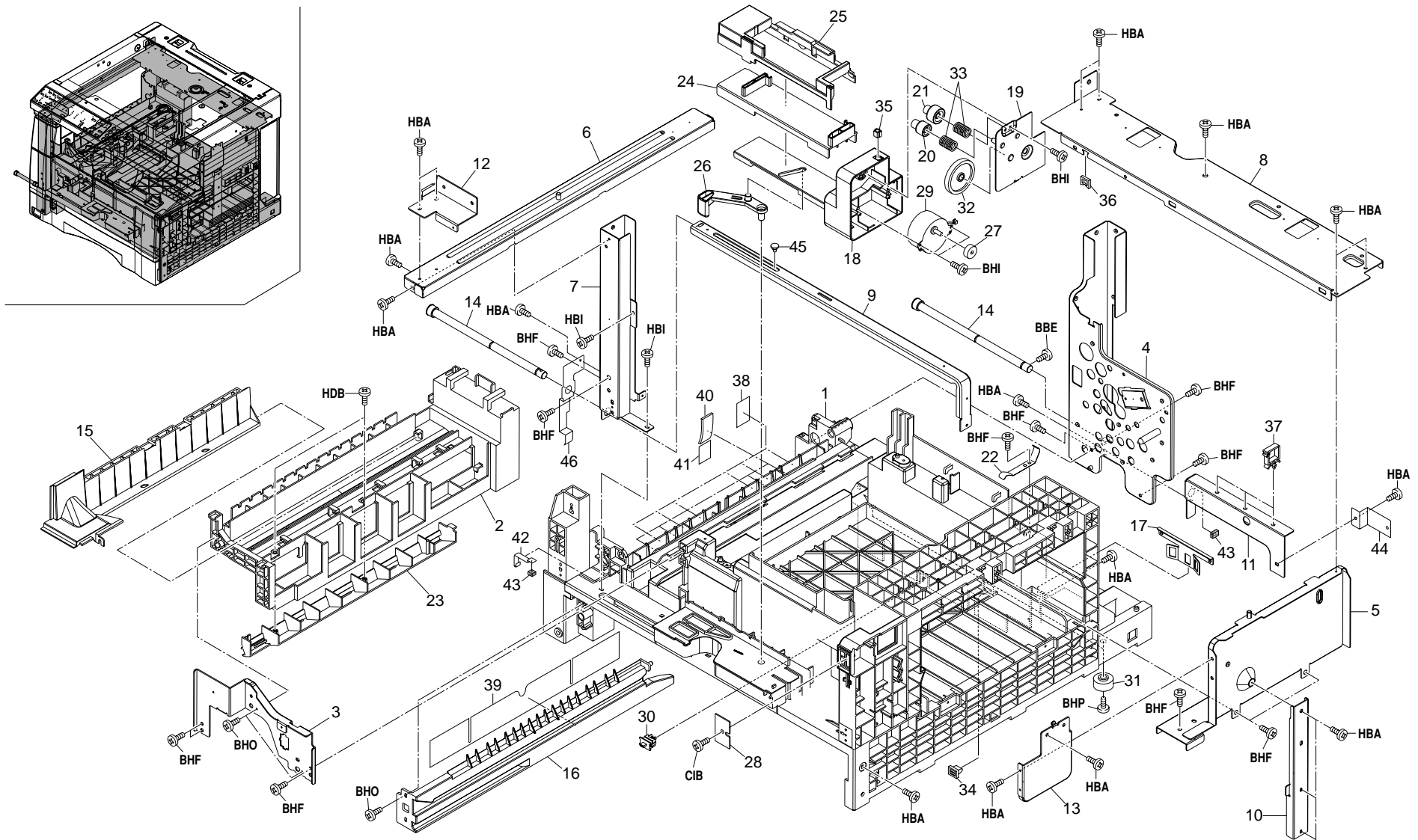


FIG. 2 FRAMES

SP	Ref. No.	Part. No.	Description	Quantity	
				230V	240V
	1	2AV02010	BASE,MACHINE	1	1
	2	2AV02020	UPPER FRAME,MACHINE	1	1
	3	2AV02030	FRONT FRAME	1	1
	4	2AV02040	REAR FRAME	1	1
	5	2AV02050	RIGHT SUPPORT PLATE,SCANNER	1	1
	6	2AV02060	LEFT SUPPORT PLATE,SCANNER	1	1
	7	2AV02070	FRONT STAY	1	1
	8	2AV02080	TOP REINFORCEMENT	1	1
	9	2AV02090	LOWER FRONT REINFORCEMENT	1	1
	10	2AV02100	RIGHT REINFORCEMENT	1	1
	11	2AV02110	MOUNT,SHAFT HANDLE	1	1
	12	2AV02150	FRONT RETAINER,SCANNER	1	1
	13	2AV02160	RIGHT RETAINER,SCANNER	1	1
●	14	2AV02170	SHAFT,HANDLE	2	2
●	15	2AV04180	COVER DUCT	1	1
	16	2AV06080	LEFT RAIL,CASSETTE	1	1
	17	2AV06100	RIGHT MOUNT,SIZE DETECTION	1	1
	18	2AV15010	MOVING BASE,CARTRIDGE DRIVE	1	1
	19	2AV15020	MOUNT,CARTRIDGE DRIVE	1	1
	20	2AV15050	GEAR C,TONER SUPPLY	1	1
	21	2AV15060	GEAR D,TONER SUPPLY	1	1
	22	2AV26250	GROUND PLATE,LSU	1	1
	23	2AR10080	MOUNT BASE,CLEANING LAMP	1	1
	24	2AR15020	MOVING BASE,CARTRIDGE	1	1
	25	2AR15060	COVER,CARTRIDGE MOUNT BASE	1	1
	26	2AR15080	LEVER,CARTRIDGE MOVING	1	1
	27	45727502	GEAR,TONER MOTOR	1	1
	28	49628105	RECEIVER,MAGNET	1	1
●	29	33915190	TONER MOTOR	1	1
●	30	35927420	SWITCH,SIZE	1	1
●	31	66260030	BASE RUBBER,Sorter	2	2
	32	71821390	IDLE GEAR 48	1	1
	33	73818100	SPRING, BLADE THRUST	2	2
●	34	77906200	CASSETTE CATCHER	1	1
	35	J0455020	CASE,DF3-2EP-2A(HIROSE)	1	1
	36	M2104350	EDGING,EDS-0607M(KITAGAWA)	1	1
	37	M2109010	WIRE SADDLE,WS-2NS	3	3
	38	2AV06240	RIGHT FRONT GUIDE FILM,REGISTRATION	6	6
	39	2AV06250	GUIDE FILM,RAIL CASSETTE	1	1
	40	2AV06330	SHEET B,BYPASS	4	4

2BV

SP	Ref. No.	Part. No.	Description	Quantity	
				230V	240V
	41	2AV06340	FRONT FILM,BYPASS PAD	4	4
	42	2AV06390	PLATE SPRING,BYPASS TABLE	1	1
	43	2AV06400	SPONGE,BYPASS TABLE	2	2
	44	2AV26280	GROUND PLATE A,HANDLE	1	1
	45	48129208	PIN,TENSION	1	1
	46	2AV26300	GROUND PLATE STAY	1	1

- Parts with "●" are component parts or sub-assemblies of the assembly appearing immediately above them.
- Parts with "●" indicates the Service parts.

FIG. 3 CASSETTE

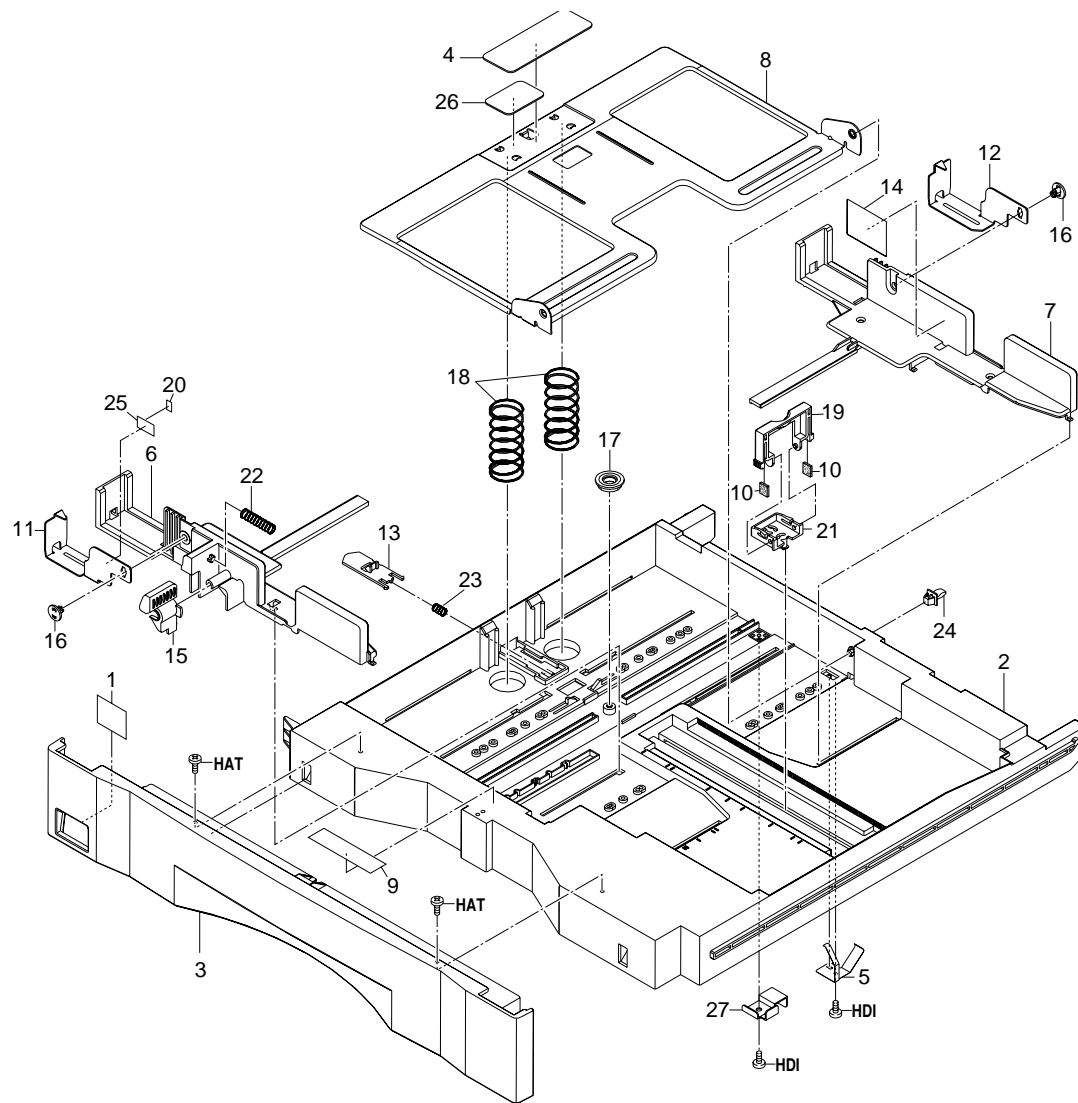
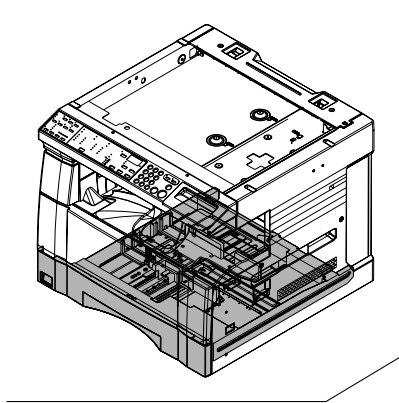


FIG. 3 CASSETTE

2BV

SP	Ref. No.	Part. No.	Description	Quantity	
				230V	240V
●	1	2AV05090	SHEET,CASSETTE SIZE INDICATION(METRIC)	1	1
	2	2AV07010	CASSETTE,PAPER FEED	1	1
●	3	2AV07020	COVER,CASSETTE	1	1
●	4	2AV07030	SHEET,CASSETTE	1	1
	5	2AV07040	GROUND PLATE,CASSETTE	1	1
	6	2AV07050	FRONT CURSOR,CASSETTE	1	1
	7	2AV07060	REAR CURSOR,CASSETTE	1	1
	8	2AV07070	WORK PLATE,CASSETTE	1	1
	9	2AV05280	LABEL,CASSETTE	1	1
	10	2AV06410	SPONGE,PAPER GUIDE	2	2
	11	2AV07190	FRONT CLAW A,CASSETTE	1	1
	12	2AV07200	REAR CLAW A,CASSETTE	1	1
●	13	19507050	LEVER,CASSETTE BASE RELEASE	1	1
	14	2AR05200	LABEL,PAPER UPPER LIMIT	1	1
●	15	34907060	LEVER,CURSOR RETAINING	1	1
	16	34907070	PIN,CLAW CASSETTE	2	2
	17	34907141	GEAR 18,CASSETTE	1	1
	18	34907380	SPRING,CASSETTE	2	2
●	19	35907091	CURSOR,PAPER TRAILING EDGE	1	1
	20	2AV06420	FILM,CLAW CASSETTE	1	1
●	21	35907171	MOUNT BASE,TRAILING EDGE CURSOR	1	1
	22	68802070	SPRING A,LIFT UP	1	1
	23	76508130	SPRING BELT GUIDE ROLLER	1	1
●	24	77906210	CASSETTE STOPPER	1	1
	25	2AV06350	FRONT SPACER A,CLAW CASSETTE	1	1
	26	2AV06430	FILM,SHEET CASSETTE	1	1
	27	2BV07010	PROJECTION,CASSETTE SIZE DETECTION	1	1

- Parts with "●" are component parts or sub-assemblies of the assembly appearing immediately above them.
- Parts with "●" indicates the Service parts.

FIG. 4 PAPER FEED-IN SECTION

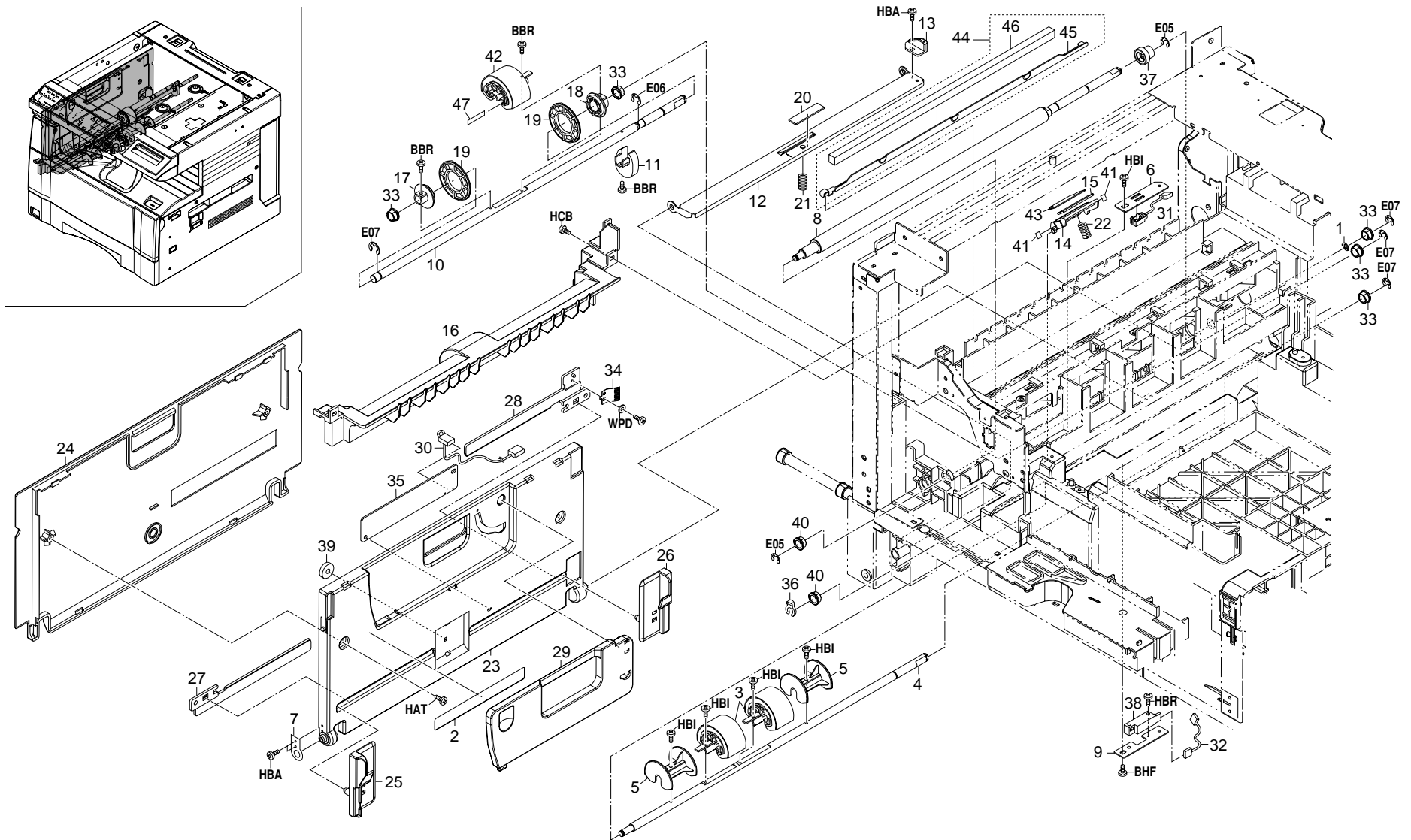


FIG. 4 PAPER FEED-IN SECTION

SP	Ref. No.	Part. No.	Description	Quantity	
				230V	240V
	1	2AV02180	GROUND PLATE,REGISTRATION ROLLER	1	1
●	2	2AV05110	LABEL,BYPASS SIZE INDICATION(METRIC)	1	1
●	3	2AV06010	PULLEY,PAPER FEED	2	2
	4	2AV06020	SHAFT,PAPER FEED	1	1
●	5	2AV06030	COLLAR,PAPER FEED	2	2
	6	2AV06040	MOUNT,REGISTRATION SWITCH	1	1
	7	2AV06380	REINFORCEMENT,BYPASS	1	1
●	8	2AV06060	RIGHT ROLLER,REGISTRATION	1	1
	9	2AV06090	MOUNT,PAPER EMPTY SWITCH	1	1
	10	2AV06110	SHAFT,BYPASS	1	1
	11	2AV06120	CAM,BYPASS	1	1
	12	2AV06130	LIFT PLATE,BYPASS	1	1
	13	2AV06140	STOPPER,BYPASS	1	1
	14	2AV06150	MOUNT BASE,BYPASS PAD	1	1
●	15	2AV06160	SHEET,BYPASS	1	1
	16	2AV06171	COVER,BYPASS	1	1
	17	2AV06180	COLLAR A,BYPASS PAPER FEED	1	1
	18	2AV06190	COLLAR B,BYPASS PAPER FEED	1	1
	19	2AV06200	COLLAR C,BYPASS PAPER FEED	2	2
●	20	2AV06210	SHEET,BYPASS LIFT	1	1
	21	2AV06220	SPRING,BYPASS LIFT	1	1
	22	2AV06230	SPRING,BYPASS PAD	1	1
●	23	2AV07100	UPPER TABLE,BYPASS	1	1
●	24	2AV07110	COVER,BYPASS TABLE	1	1
	25	2AV07120	FRONT CURSOR,BYPASS	1	1
	26	2AV07130	REAR CURSOR,BYPASS	1	1
	27	2AV07140	FRONT RACK,BYPASS	1	1
	28	2AV07150	REAR RACK,BYPASS	1	1
●	29	2AV07160	SUPPORT PLATE,BYPASS	1	1
	30	2AV27180	WIRE,BYPASS TRAY	1	1
●	31	2AV27260	SWITCH,REGISTRATION	1	1
	32	2AV27270	JUNCTION WIRING,PAPER EMPTY SWITCH	1	1
●	33	49028101	BUSH 8	5	5
	34	33907110	TERMINAL,PAPER SIZE PCB	1	1
●	35	33928111	SIZE DETECTION PCB	1	1
	36	34806150	STOPPER 5	1	1
●	37	35906090	GEAR 15,REGISTRATION	1	1
●	38	65027360	SWITCH,EMPTY	1	1
	39	65914120	GEAR 18,IDLE DEVELOPING	1	1
●	40	73210450	BUSH, 6	2	2

2BV

SP	Ref. No.	Part. No.	Description	Quantity	
				230V	240V
	41	2AV06450	SPACER,BYPASS PAD	2	2
●	42	2AV06320	PULLEY,PAPER FEED	1	1
	43	2AV06300	FILM,BYPASS STOPPER TAPE	1	1
●	44	2AV93020	PARTS,ASS'Y RIGHT REGISTRATION CLEANER,SP	1	1
	45	●2AV06050	MOUNT,REGISTRATION CLEANER	1	1
	46	●34806331	UPPER CLEANER,REGISTRATION	1	1
	47	2AV06460	SPACER,BYPASS PULLEY	1	1

- Parts with "●" are component parts or sub-assemblies of the assembly appearing immediately above them.
- Parts with "●" indicates the Service parts.

FIG. 5 PAPER CONVEYING SECTION

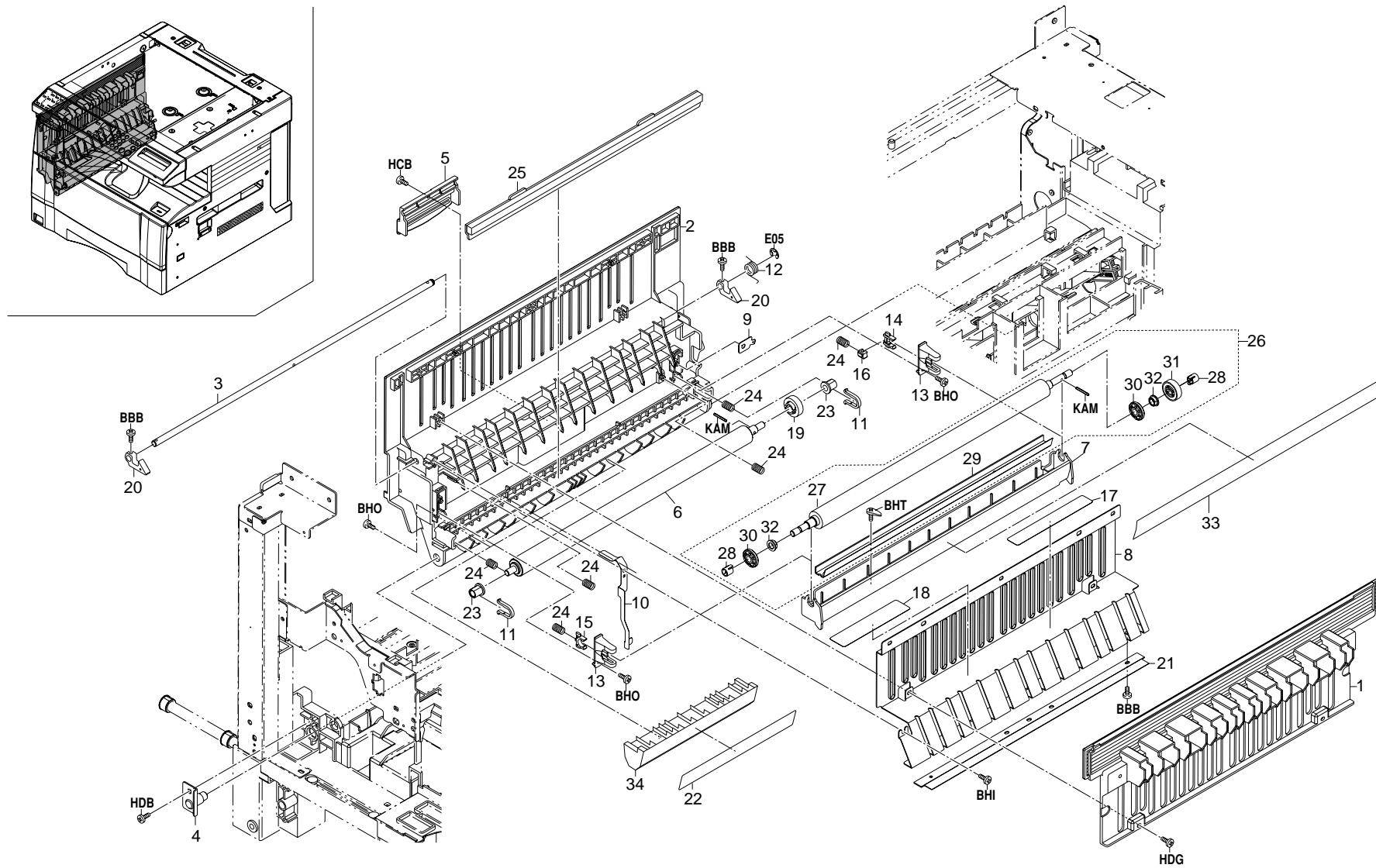


FIG. 5 PAPER CONVEYING SECTION

2BV

SP	Ref. No.	Part. No.	Description	Quantity	
				230V	240V
●	1	2AV04110	UPPER COVER,CONVEYING	1	1
●	2	2AV04120	COVER,CONVEYING	1	1
	3	2AV04130	SHAFT,CONVEYING HANDLE	1	1
	4	2AV04140	FULCRUM PIN,CONVEYING UNIT	1	1
●	5	2AV04150	HANDLE,CONVEYING UNIT	1	1
●	6	2AV06070	LEFT ROLLER,REGISTRATION	1	1
	7	2AV16010	GUIDE,TRANSFER	1	1
	8	2AV16020	STATIC ELIMINATION PLATE,CONVEYING	1	1
	9	2AV16030	TERMINAL,TRANSFER	1	1
	10	2AV16070	GROUND PLATE,CONVEYING UNIT	1	1
●	11	2AV16080	HOLDER,REGISTRATION	2	2
	12	33906640	RIGHT SPRING,FEED RELEASE	1	1
	13	2AR16130	MOUNT BASE,TRANSFER ROLLER BUSHING	2	2
	14	2AR17030	FRONT BUSHING,TRANSFER ROLLER PRESSURE	1	1
	15	2AR17040	REAR BUSHING,TRANSFER ROLLER PRESSURE	1	1
	16	2AR17070	TERMINAL,TRANSFER PRESSURE	1	1
	17	20305090	LABEL,HIGH VOLTAGE CAUTION	1	1
	18	29705100	CAUTION LABEL,DRUM	1	1
	19	29814340	GEAR 18,DEVELOPER UNIT	1	1
	20	33906670	RIGHT HOOK,FEED RELEASE	2	2
●	21	34821100	STATIC ELIMINATOR,EJECT	1	1
	22	2AV06271	LEFT FRONT FILM,REGISTRATION	2	2
●	23	60606101	BUSHING FEED BACK ROLLER	2	2
	24	68802160	SPRING,RETAINING	6	6
●	25	2AV93010	PARTS,ASS'Y LEFT REGISTRATION CLEANER,SP	1	1
●	26	2AV93030	PARTS,ASS'Y TRANSFER ROLLER,SP	1	1
	27	•2AV16100	ROLLER,TRANSFER	1	1
	28	•2AR17080	COLLAR,TRANSFER ROLLER	2	2
	29	•2AR17090	CLEANER,TRANSFER	1	1
	30	•2AR17120	PULLEY,TRANSFER ROLLER	2	2
●	31	•73210370	GEAR 18,LOOP	1	1
●	32	•76202270	LEFT BUSHING FULCRUM SHAFT	2	2
	33	2AV16120	FRONT SHEET,TRANSFER GUIDE	1	1
	34	2AV06260	GUIDE,REGISTRATION	2	2

- Parts with "•" are component parts or sub-assemblies of the assembly appearing immediately above them.
- Parts with "●" indicates the Service parts.

FIG. 6 ORIGINAL HOLDER

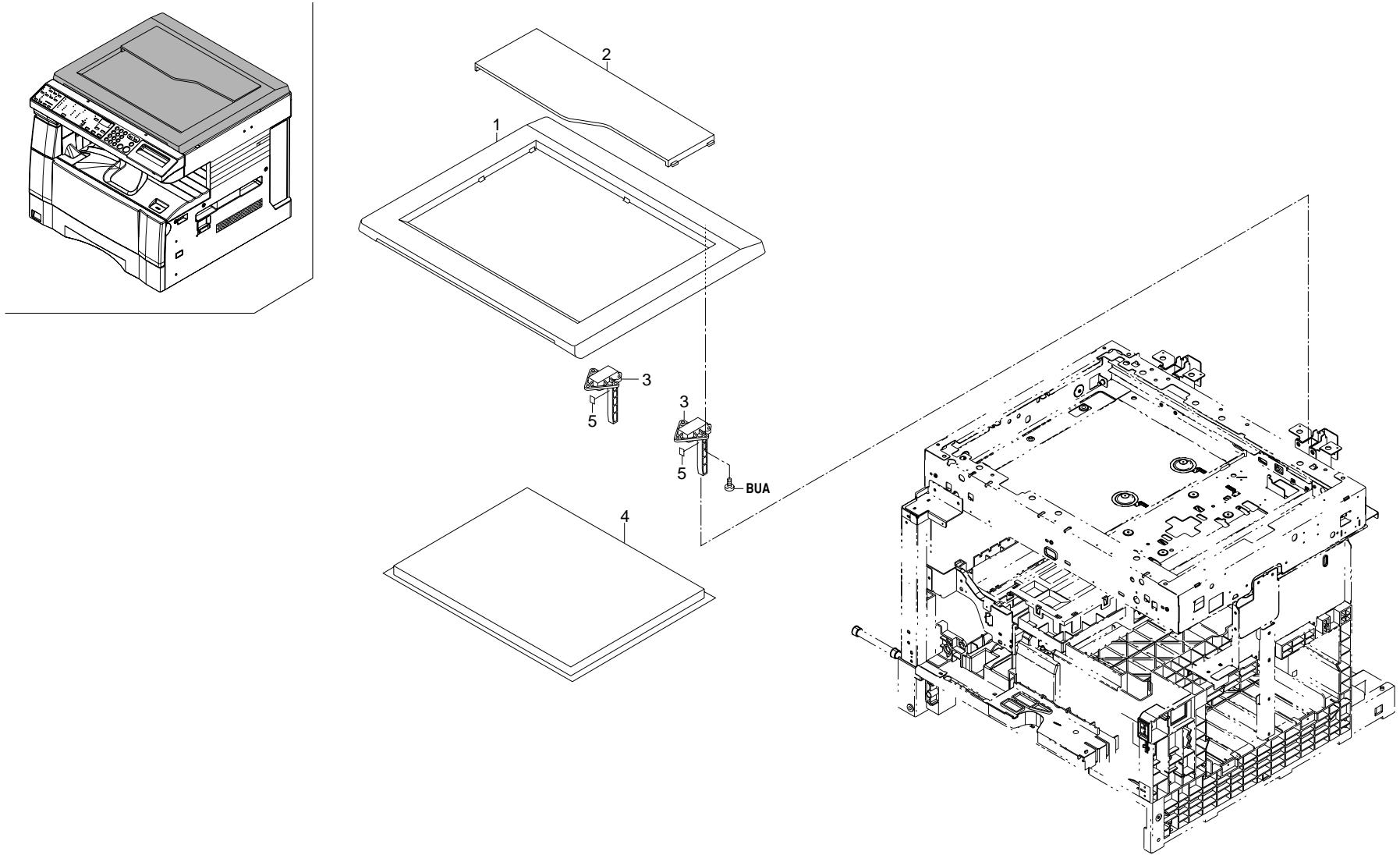


FIG. 6 ORIGINAL HOLDER

2BV

SP	Ref. No.	Part. No.	Description	Quantity	
				230V	240V
●	1	2BV04010	COVER,ORIGINAL	1	1
●	2	2BV04020	POCKET,ORIGINAL	1	1
●	3	2BV12030	HINGE,ORIGINAL HOLDER	2	2
●	4	2BV12020	MAT,ORIGINAL HOLDER	1	1
●	5	79904140	ORIGINAL HOLDER SPACER	2	2

- Parts with "•" are component parts or sub-assemblies of the assembly appearing immediately above them.
- Parts with "●" indicates the Service parts.

FIG. 7 OPTICAL SECTION

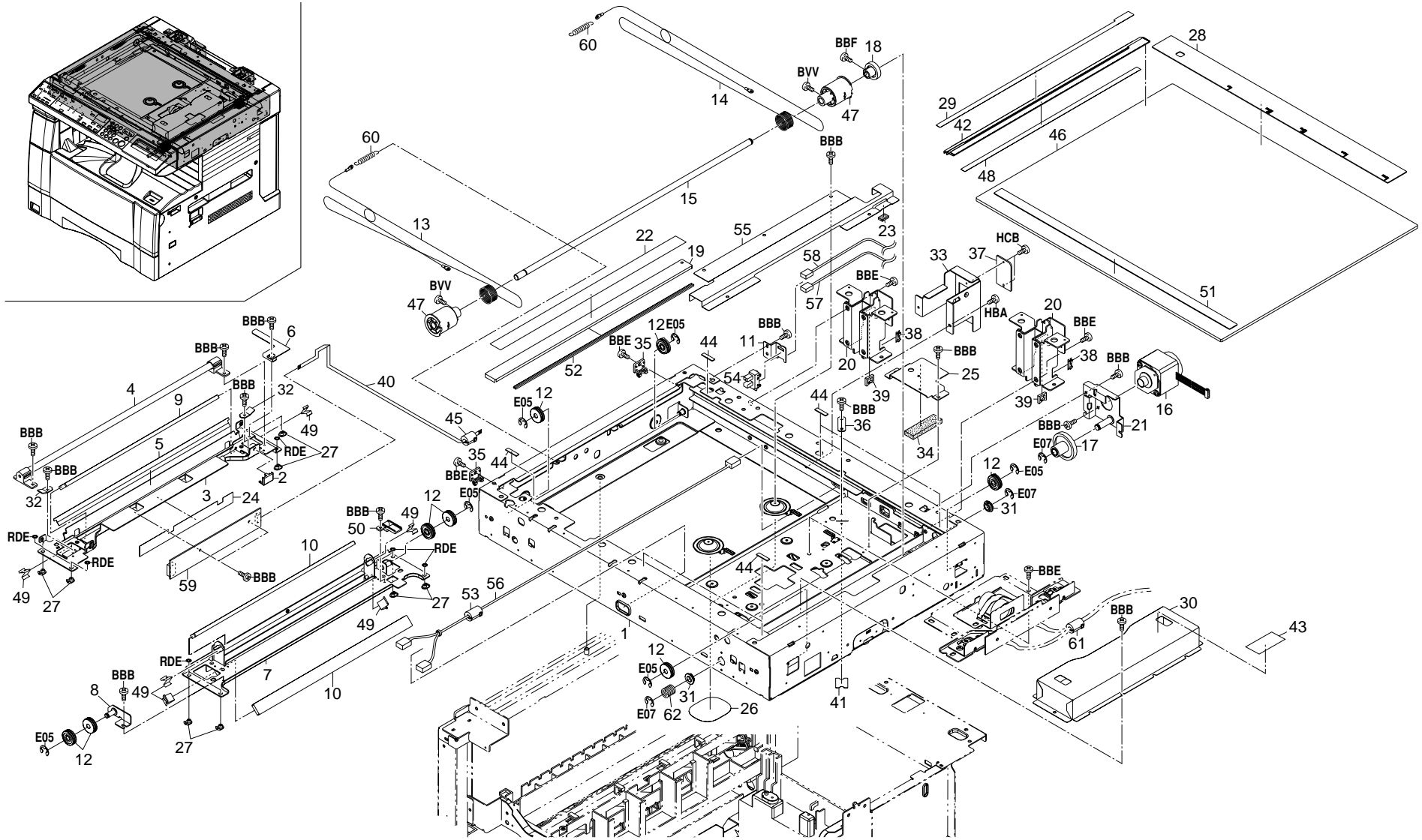


FIG. 7 OPTICAL SECTION

2BV

SP	Ref. No.	Part. No.	Description	Quantity	
				230V	240V
	1	2AV00010	SCANNER FRAME ASS'Y	1	1
	2	2AV12080	GUIDE FFC1	1	1
	3	2AV12091	MIRROR FRAME A	1	1
●	4	2AV12100	LAMP,SCANNER	1	1
	5	2AV12110	REFLECTOR,SCANNER	1	1
	6	2AV12120	LIGHT SHIELD,PI	1	1
	7	2AV12130	MIRROR FRAME B	1	1
	8	2AV12140	ADJUSTING PLATE B,MIRROR FRAME	1	1
●	9	2AV12150	MIRROR A	1	1
●	10	2AV12160	MIRROR B	2	2
	11	2AV12170	MOUNT,SCANNER PI	1	1
	12	2AV12180	PULLY,SCANNER	8	8
●	13	2AV12190	FRONT WIRE,SCANNER	1	1
●	14	2AV12200	REAR WIRE,SCANNER	1	1
	15	2AV12210	SHAFT,SCANNER DRIVE	1	1
●	16	2AV93050	PARTS,MOTOR SCANNER(SP)	1	1
	17	2AV12230	GEAR 44/16	1	1
	18	2AV12240	GEAR 26	1	1
	19	2BV12010	LEFT COVER,ORIGINAL SIZE INDICATOR	1	1
	20	2AV12260	MOUNT BASE,DF HINGE	2	2
	21	2AV12270	MOUNT,SCANNER MOTOR	1	1
	22	2BV12040	LEFT SHEET,ORIGINAL SIZE INDICATOR	1	1
	23	2BV12050	LEFT SPONGE,SCANNER	1	1
	24	2AV12320	FILM A,MIRROR FRAME	1	1
	25	2AV12340	MOUNT,ORIGINAL DETECTION SENSOR	1	1
	26	2AV12430	LOWER SEAL,SCANNER	2	2
●	27	2AV12450	SLIDER,SCANNER	8	8
●	28	2AV12460	REAR ORIGINAL SIZE INDICATOR(METRIC)	1	1
●	29	2AV12480	LABEL,ORIGINAL SIZE INDICATOR(METRIC)	1	1
	30	2AV12520	COVER,ISU	1	1
	31	72914480	REAR BUSHING,DEVELOPING ROLLER (B)	2	2
	32	2AV12350	STOPPER,WIRE	2	2
	33	2AV26230	MOUNT,DF CONNECTOR	1	1
	34	2BV12060	RIGHT SPONGE,SCANNER	1	1
	35	18512340	GUIDE,SCANNER WIRE	2	2
	36	2AC12300	HOLDER FFC	1	1
	37	2BV04030	REAR LID	1	1
	38	M2104210	EDGING,EDS-2	2	2
	39	M2104220	EDGING,EDS-1717U	2	2
	40	2AC27800	WIRE,SCANNER INVERTER	1	1

SP	Ref. No.	Part. No.	Description	Quantity	
				230V	240V
	41	2AR12200	FILM,FFC	1	1
●	42	2A305070	LEFT ORIGINAL SIZE INDICATOR	1	1
●	43	2A105180	LABEL,CAUTION CONTACT GLASS	1	1
●	44	29812291	CUSHION,CONTACT GLASS	6	6
	45	2BV27070	CORE 11-16X12	1	1
●	46	35912010	CONTACT GLASS	1	1
●	47	35912060	PULLEY,SCANNER DRUM	2	2
	48	35912200	STANDARD PLATE,SHADING	1	1
	49	35912210	SPRING,MIRROR HOLDER	6	6
	50	35912360	GUIDE FFC2	1	1
●	51	35912490	FRONT ORIGINAL SIZE INDICATOR	1	1
●	52	35912531	SPONGE,ORIGINAL SIZE INDICATOR	1	1
	53	2AR27720	CORE 8-18X13	1	1
●	54	72127100	PI SWITCH,OPTICAL SECTION	1	1
	55	2AV12310	COVER,OPERATION UNIT WIRE	1	1
	56	2AV27130	WIRE,OPERATION UNIT	1	1
	57	2BV27030	WIRE,SWITCH JUNCTION	1	1
	58	2AV27150	WIRE,SCANNER HOME	1	1
●	59	2AV28080	INVERTER PCB	1	1
	60	2AV12500	SPRING,SCANNER TENSION	2	2
	61	65027470	CORE,7-15X18	1	1
	62	34918200	SPRING,THRUST	1	1

- Parts with "●" are component parts or sub-assemblies of the assembly appearing immediately above them.
- Parts with "●" indicates the Service parts.

FIG. 8 LASER SCANNER UNIT

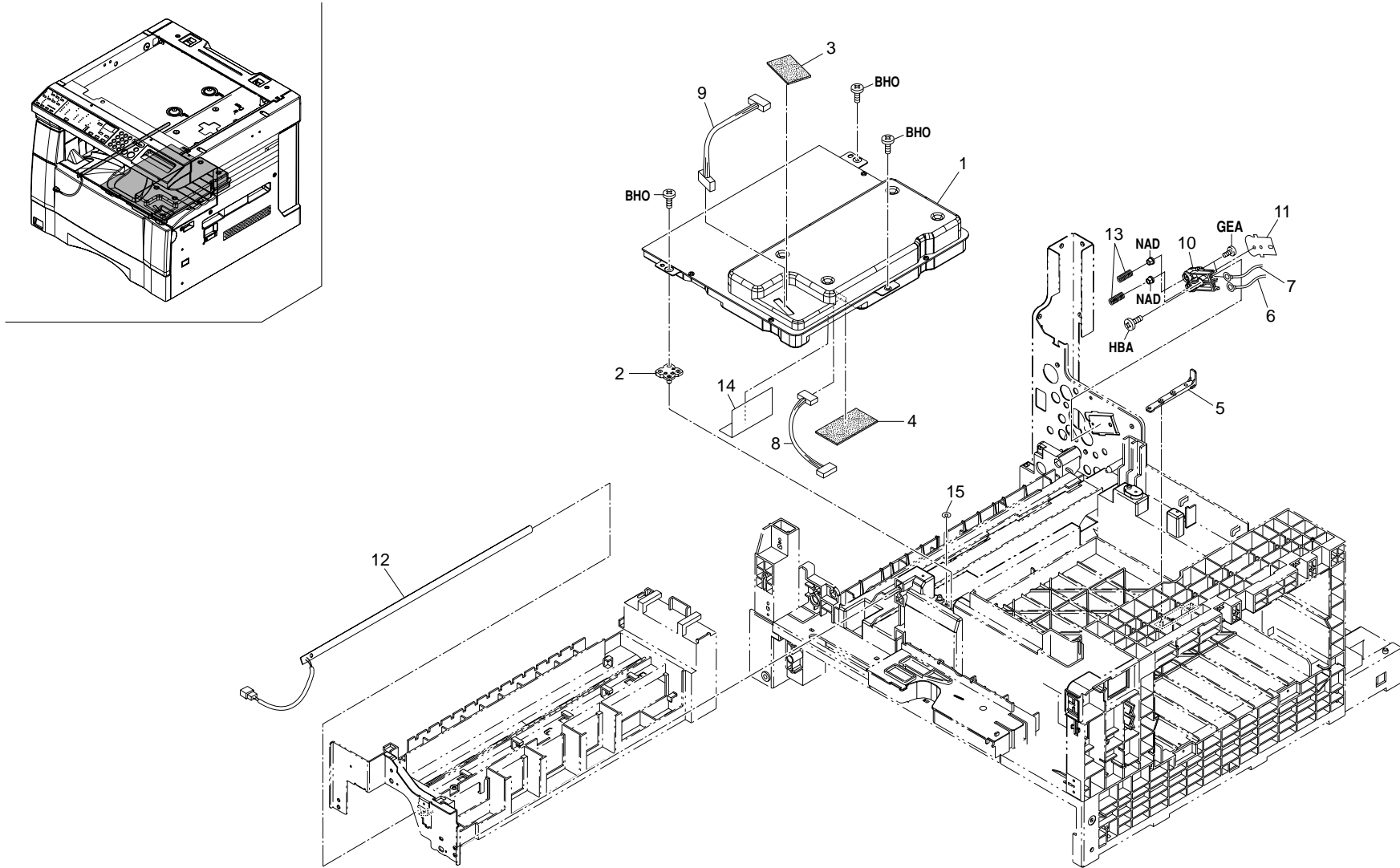


FIG. 8 LASER SCANNER UNIT

2BV

SP	Ref. No.	Part. No.	Description	Quantity	
				230V	240V
●	1	2AV13010	UNIT,LSU	1	1
	2	2AV13020	SPACER,LSU	1	1
	3	2AV13030	SPONGE,LASER DIODE	1	1
	4	2AV13040	SPONGE,POLYGON	1	1
	5	2AV13050	RIGHT SPACER,LSU	1	1
	6	2AV27090	WIRE,MAIN HIGH VOLTAGE	1	1
	7	2AV27100	WIRE,GRID	1	1
	8	2AV27310	JUNCTION WIRING,POLYGON	1	1
	9	2AV27320	JUNCTION WIRING,LASER DIODE	1	1
	10	2AR10060	TERMINAL BASE,MAIN CHARGER	1	1
	11	2AR10070	SHEET,MAIN CHARGER TERMINAL BASE	1	1
●	12	2AR27031	LAMP,CLEANING LAMP	1	1
	13	63516160	SPRING,TRANSFORMER TERMINAL	2	2
	14	2AV13060	FILM,LSU	1	1
	15	2AV13070	UNDER SPACER,LSU	1	1

- Parts with "●" are component parts or sub-assemblies of the assembly appearing immediately above them.
- Parts with "●" indicates the Service parts.

FIG. 9 IMAGING UNIT

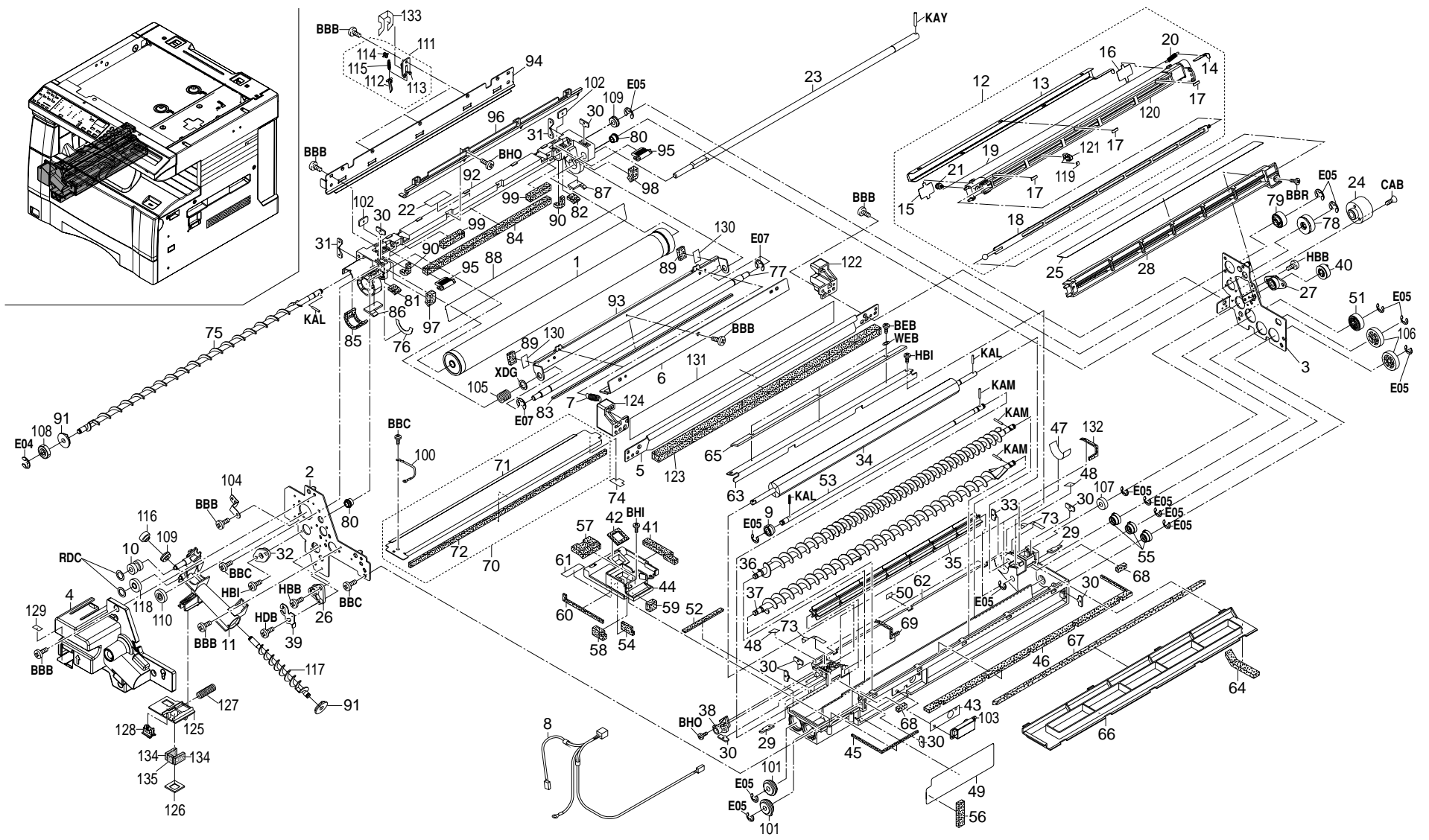


FIG. 9 IMAGING UNIT

SP	Ref. No.	Part. No.	Description	Quantity	
				230V	240V
●	1	2AV82010	SET,DRUM	1	1
	2	2AV09010	FRONT FRAME,IMAGE FORMATION	1	1
	3	2AV09020	REAR FRAME,IMAGE FORMATION	1	1
	4	2AV09030	FRONT COVER,IMAGE FORMATION	1	1
	5	2AV16040	RIGHT GUIDE,TRANSFER	1	1
●	6	2AV93060	PARTS,BLADE CLEANING(SP)	1	1
	7	2AV18050	SPRING,BLADE	2	2
	8	2AV27080	WIRE,IMAGE FORMATION	1	1
	9	19514270	REAR BUSHING,AGITATION	1	1
	10	72919050	GEAR 12/15,RECYCLE SECTION	1	1
	11	2AV18010	HOUSING,DISPOSAL	1	1
●	12	2AR93420	PARTS,MAIN CHARGER ASS'Y A(SP)	1	1
	13	●2AR10020	GRID,SHIELD	1	1
	14	●2AR10030	TERMINAL,MAIN CHARGER	1	1
	15	●2AR10040	FRONT LID,MAIN CHARGER	1	1
	16	●2AR10050	REAR LID,MAIN CHARGER	1	1
	17	●2AR10090	SEAL,MAIN CHARGER	3	3
	18	●2AR10130	SLIDER,MAIN CHARGER CLEANER	1	1
	19	●2AR10160	WIRE,MAIN CHARGER	1	1
	20	●48527200	SPRING,CHARGER	1	1
	21	●33910230	PIN CHARGER	1	1
	22	2AR05160	LABEL,IMAGE FORMATION	1	1
	23	2AR08030	SHAFT,DRUM	1	1
	24	2AR09040	REAR BUSHING,DRUM SHAFT	1	1
	25	2AR09060	FILM,LIGHT SHIELD	1	1
	26	2AR09140	FRONT BUSHING,DEVELOPING	1	1
	27	2AR09150	REAR BUSHING,DEVELOPING	1	1
	28	2AR09170	RAIL MAIN CHARGER A	1	1
	29	2AR09200	MOUNT M3A	2	2
	30	2AR09210	MOUNT M3B	8	8
	31	2AR09220	MOUNT M3C	2	2
	32	2AR09230	FRONT BUSHING,DRUM SHAFT	1	1
	33	2AR09240	MOUNT M3D	1	1
	34	2AR14010	MAGNET,DEVELOPING	1	1
	35	2AR14030	PADDLE,DEVELOPING	7	7
	36	2AR14040	LEFT SPIRAL,DEVELOPING	1	1
	37	2AR14050	RIGHT SPIRAL,DEVELOPING	1	1
	38	2AR14091	FRONT BUSHING,MAGNET ROLLER	1	1
	39	2AR14100	RETAINER,MAGNET ROLLER	1	1
	40	2AR14110	GEAR 16,MAGNET ROLLER	1	1

2BV

SP	Ref. No.	Part. No.	Description	Quantity	
				230V	240V
	41	2AR14130	FRONT SPONGE B,LID DEVELOPING	1	1
	42	2AR14140	FRONT SPONGE C,LID DEVELOPING	1	1
	43	2AR14160	SPACER,TONER SENSOR	1	1
	44	2AR14170	FRONT LID,DEVELOPING	1	1
	45	2AR14200	FRONT SPONGE,DEVELOPING	1	1
	46	2AR14211	RIGHT SPONGE,DEVELOPING	1	1
	47	2AR14240	SEAL,MAGNET ROLLER	2	2
	48	2AR14250	SEAL,DEVELOPING	2	2
	49	2AR14290	RIGHT FILM,DEVELOPING	1	1
	50	2AR14300	LOWER FILM,DEVELOPING	3	3
	51	2AR14310	GEAR 19,PADDLE	1	1
	52	2AR14330	LEFT SPONGE,DEVELOPING	1	1
	53	2AR14340	SHAFT,PADDLE	1	1
	54	2AR14350	FRONT SPONGE E,LID DEVELOPING	1	1
	55	2AR14380	REAR BUSHING,AGITATION	3	3
	56	2AR14411	RIGHT FRONT SPONGE,DEVELOPING	1	1
	57	2AR14490	FRONT SPONGE F,LID DEVELOPING	1	1
	58	2AR14500	FRONT SPONGE G,LID DEVELOPING	1	1
	59	2AR14510	FRONT SPONGE H,LID DEVELOPING	1	1
	60	2AR14520	FRONT SPONGE I,LID DEVELOPING	1	1
	61	2AR14540	LOWER FRONT FILM,LID DEVELOPING	1	1
	62	2AR14551	HOUSING A,DEVELOPING	1	1
	63	2AR14560	MOUNT A,DOCTOR BLADE	1	1
	64	2AR14640	REAR SPONGE,LID	1	1
	65	2AR14580	DOCTOR BLADE A,DEVELOPING	1	1
	66	2AR14590	UPPER LID A,DEVELOPING	1	1
	67	2AR14600	UPPER SPONGE A,LID DEVELOPING	1	1
	68	2AR14610	SPONGE,DEVELOPING HOUSING	2	2
	69	2AR14620	FRONT SPONGE,DEVELOPING HOUSING	1	1
●	70	2AR93400	PARTS,COVER A DOCTOR BLADE ASS'Y(SP)	1	1
	71	●2AR14570	COVER A,DOCTOR BLADE	1	1
	72	●2AR14650	SPONGE,COVER DOCTOR BLADE	1	1
	73	2AR14660	FILM A,DEVELOPING	2	2
	74	2AR14670	FILM A,COVER DOCTOR BLADE	1	1
	75	2AR18050	SPIRAL,CLEANING	1	1
	76	2AR18080	SPACER,DRUM	1	1
	77	2AR18090	SHAFT,THRUST	1	1
	78	2AR18100	GEAR 21,THRUST	1	1
	79	2AR18110	GEAR 17,SPIRAL	1	1
	80	2AR18120	BUSHING,THRUST	2	2

- Parts with "●" are component parts or sub-assemblies of the assembly appearing immediately above them.
- Parts with "●" indicates the Service parts.

FIG. 9 IMAGE UNIT

SP	Ref. No.	Part. No.	Description	Quantity	
				230V	240V
	81	2AR18151	FRONT SPONGE A,CLEANING	1	1
	82	2AR18160	REAR SPONGE A,CLEANING	1	1
	83	2AR18170	INNER SPONGE,CLEANING	1	1
	84	2AR18191	LOWER SPONGE,CLEANING	1	1
	85	2AR18200	FRONT SPONGE,CLEANING	1	1
	86	2AR18211	FRONT SEAL A,CLEANING	1	1
	87	2AR18221	REAR SEAL A,CLEANING	1	1
	88	2AV18070	INNER FILM,CLEANING	1	1
	89	2AR18341	SPONGE,MOUNT BLADE	2	2
	90	2AR18371	SPONGE,CLEANING	2	2
	91	2AR18380	BUSHING,CLEANING	2	2
	92	2AR18400	HOUSING A,CLEANING	1	1
	93	2AR18410	MOUNT A,BLADE	1	1
●	94	2AR93410	PARTS,SEAL CLEANING LOWER A(SP)	1	1
	95	2AR18430	LEVER A,PRESSURE RELEASE	2	2
	96	2AR18450	GUIDE,SPIRAL	1	1
	97	2AR18460	FRONT SPONGE C,CLEANING	1	1
	98	2AR18470	REAR SPONGE C,CLEANING	1	1
	99	2AR18480	LOWER SPONGE A,CLEANING	2	2
	100	2AR27620	DIODE,DEVELOPING SEAL	1	1
	101	49028113	BUSHING 6-19,DEV.UNIT	2	2
	102	33302080	MOUNT M3	2	2
	103	33914190	TONER SENSOR	1	1
	104	34909050	FRONT GROUND PLATE,DRUM DRIVE	1	1
	105	34918200	SPRING,THRUST	1	1
	106	34922570	GEAR 23,DEVELOPING	2	2
	107	35914820	BEARING,DEVELOPING	1	1
	108	63814060	GEAR 20,AGITATION	1	1
	109	63818250	REAR BUSHING,TONER DISPOSAL ROLLER	2	2
	110	72320210	LOWER GEAR, EJECT IDLE	1	1
●	111	2AR00400	SEPARATION CLAW ASS'Y	3	3
	112	•2AR18240	CLAW,SEPARATION	3	3
	113	•2AR18250	MOUNT BASE,CLAW SEPARATION	3	3
	114	•2AR18260	PULLEY,CLAW SEPARATION	3	3
	115	•2AR18280	SPRING,CLAW SEPARATION	3	3
	116	19518240	GEAR 12,RECYCLE	1	1
	117	2AR18070	SPIRAL,RECYCLE	1	1
	118	35322020	GEAR 20,PAPER FEED DRIVE	1	1
	119	2AR10150	PAD,MAIN CHARGER CLEANER	1	1
	120	2AR10120	HOUSING A,MAIN CHARGER	1	1

2BV

SP	Ref. No.	Part. No.	Description	Quantity	
				230V	240V
	121	2AR10140	HOLDER,MAIN CHARGER CLEANER	1	1
	122	2AV16060	REAR POSITIONING PLATE,TRANSFER ROLLER	1	1
	123	2AV16130	RIGHT SPONGE,GUIDE	1	1
	124	2AV16050	FRONT POSITIONING PLATE,TRANSFER ROLLER	1	1
	125	2AV18020	SHUTTER,DISPOSAL	1	1
●	126	2AV18040	SEAL,SHUTTER	1	1
	127	3AH07060	SPRING,BYPASS STOPPER	1	1
●	128	35927420	SWITCH,SIZE	1	1
	129	63505130	LABEL,RAIL	1	1
	130	2AV18060	FILM,MOUNT BLADE	2	2
	131	2AV16110	FRONT FILM,TRANSFER GUIDE	1	1
	132	2AR14630	REAR SPONGE,DEVELOPING HOUSING	1	1
	133	2AV18080	GUIDE,SEPARATION	3	3
	134	2AV18090	SEAL B,SHUTTER	2	2
	135	2AV18100	SPONGE,SHUTTER	1	1

- Parts with "•" are component parts or sub-assemblies of the assembly appearing immediately above them.
- Parts with "●" indicates the Service parts.

FIG. 10 FIXING SECTION

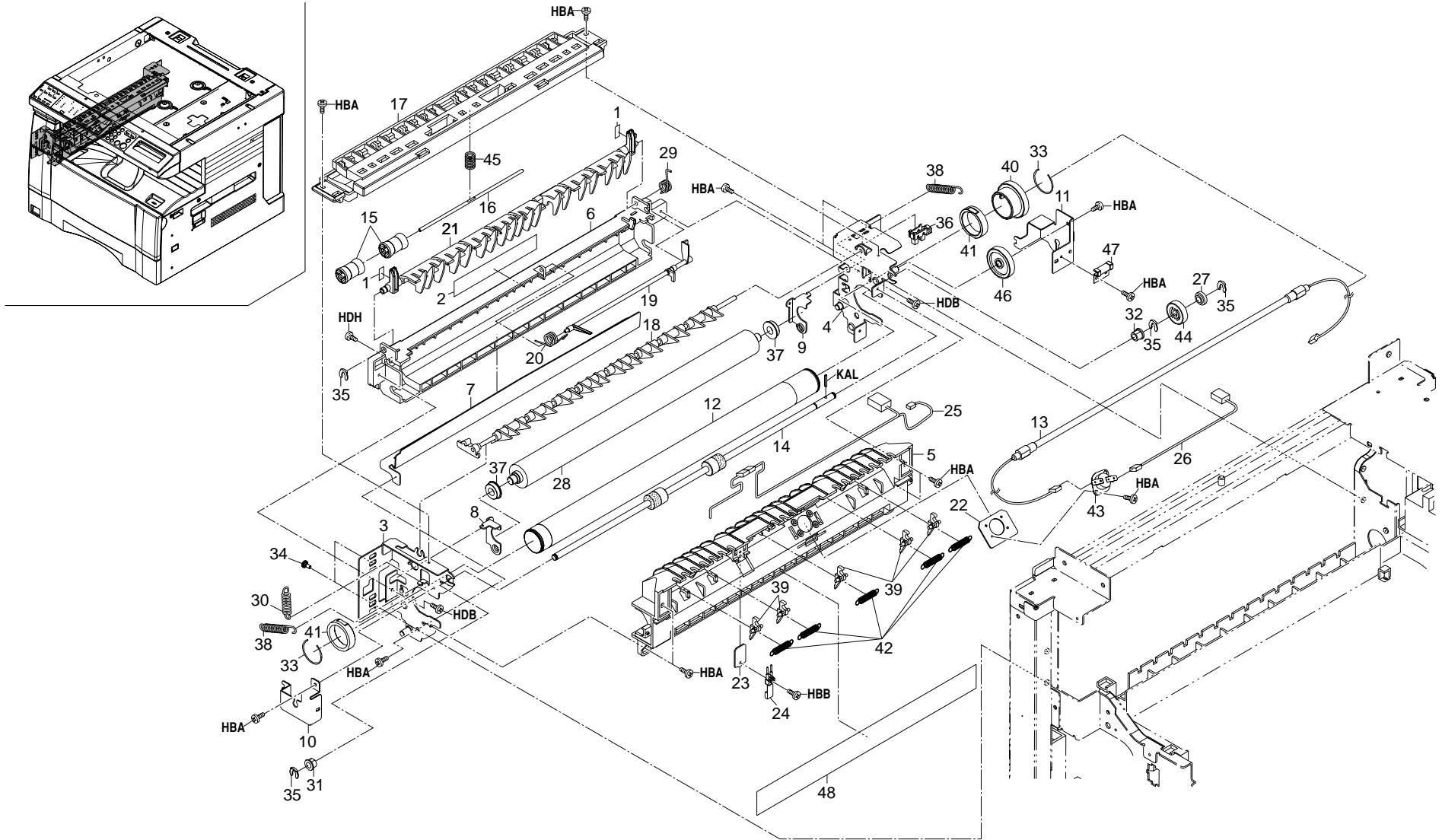


FIG. 10 FIXING SECTION

2BV

SP	Ref. No.	Part. No.	Description	Quantity	
				230V	240V
	1	2AV05130	LEFT LABEL, GUIDE EJECT	2	2
	2	2AV05170	LABEL, HIGH TEMPERATURE CAUTION	1	1
	3	2AV20010	FRONT FRAME, FIXING	1	1
	4	2AV20020	REAR FRAME, FIXING	1	1
	5	2AV20030	UPPER HOUSING, FIXING	1	1
	6	2AV20040	LOWER HOUSING, FIXING	1	1
	7	2AV20051	FRONT GUIDE, FIXING	1	1
	8	2AV20060	FRONT PRESSING PLATE, FIXING	1	1
	9	2AV20070	REAR PRESSING PLATE, FIXING	1	1
	10	2AV20080	FRONT MOUNT, FIXING HEATER	1	1
	11	2AV20090	REAR MOUNT, FIXING HEATER	1	1
●	12	2AV93071	PARTS, ROLLER HEAT(SP)	1	1
●	13	2AV93100	PARTS, HEATER FIXING 230(SP)	1	1
●	14	2AV20150	ROLLER, EJECT	1	1
●	15	2AV20160	PULLEY, EJECT	2	2
	16	2AV20170	SHAFT, EJECT PULLEY	1	1
	17	2AV20180	GUIDE, EJECT	1	1
	18	2AV20190	GUIDE, FEED SHIFT	1	1
●	19	2AV20200	ACTUATOR, EJECT SWITCH	1	1
●	20	2AV20210	SPRING, EJECT ACTUATOR	1	1
	21	2AV20220	LEFT GUIDE, EJECT	1	1
	22	2AV20230	MOUNT, THERMOSTAT	1	1
	23	2AV20240	MOUNT, THERMISTOR	1	1
●	24	2AV20250	THERMISTOR, FIXING	1	1
	25	2AV27060	WIRE, FIXING	1	1
	26	2AV27120	JUNCTION WIRING, THERMOSTAT	1	1
	27	18314060	COLLAR, PARTITION JOINT	1	1
●	28	2AB93040	PARTS, ROLLER PRESSURE, SP	1	1
●	29	28220071	SPRING, FIXING UNIT CLAW	1	1
	30	48528216	SPRING, PAPER GUIDE	1	1
●	31	29717230	BUSHING 6, FEED BACK	1	1
●	32	29806810	BUSHING, 6 REGISTRATION	1	1
	33	29820190	CRESCENTIC STOPPER	2	2
	34	2AV20270	PIN, FIXING RETAINING(M3)	2	2
	35	34806150	STOPPER 5	4	4
●	36	35327400	SWITCH, FEED	1	1
●	37	35920130	BEARING, PRESSURE	2	2
●	38	35920140	SPRING, PRESSURE	2	2
●	39	35920150	CLAW, SEPARATION	5	5
●	40	35920240	GEAR 35, HEAT ROLLER	1	1

SP	Ref. No.	Part. No.	Description	Quantity	
				230V	240V
●	41	35920350	BUSHING, HEAT ROLLER	2	2
	42	63706260	SPRING, STACK BYPASS GEAR	5	5
●	43	63720211	THERMOSTAT, FIXING	1	1
●	44	66022190	GEAR, 21 DEVELOPING	1	1
	45	68814720	SPRING B, DOCTOR BLADE	1	1
●	46	73922250	IDLE GEAR A, PF SECTION	1	1
	47	2AV20260	HOLDER, FIXING WIRE	1	1
	48	2AV20290	RIGHT SHEET, FIXING	1	1

- Parts with "●" are component parts or sub-assemblies of the assembly appearing immediately above them.
- Parts with "●" indicates the Service parts.

FIG. 11 DRIVING SECTION

2BV

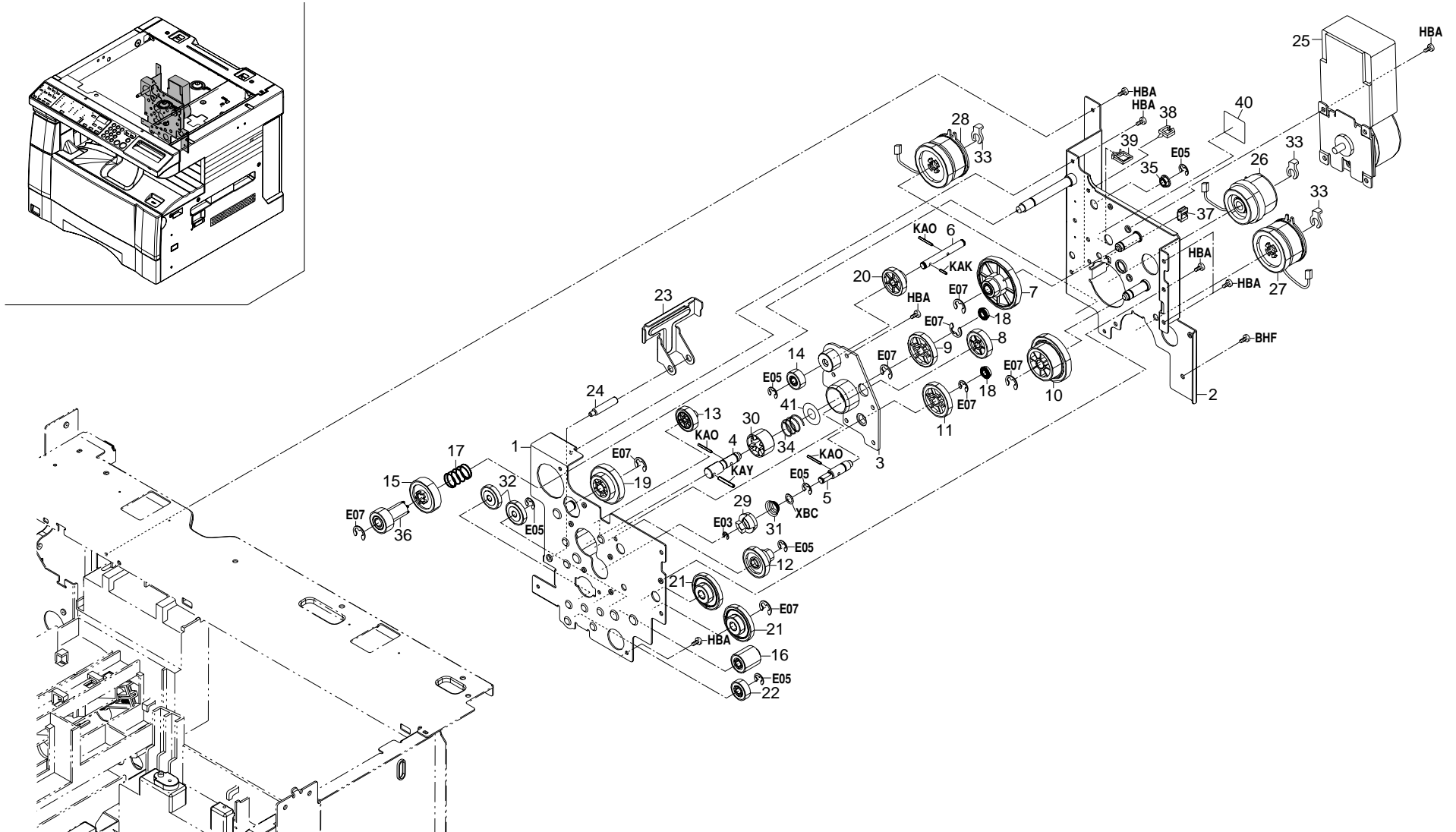


FIG. 11 DRIVING SECTION

SP	Ref. No.	Part. No.	Description	Quantity	
				230V	240V
	1	2AV22010	FRONT FRAME,DRIVE UNIT	1	1
	2	2AV22020	REAR FRAME,DRIVE UNIT	1	1
	3	2AV22031	POSITIONING PLATE,DRUM	1	1
	4	2AV22040	SHAFT,COUPLING	1	1
	5	2AV22050	SHAFT,DEVELOPING DRIVE	1	1
	6	2AV22060	SHAFT,CLEANING DRIVE	1	1
	7	2AV22320	GEAR A,58/30	1	1
	8	2AV22330	GEAR A,48/27	1	1
	9	2AV22340	GEAR A,60 DRUM	1	1
	10	2AV22100	GEAR,52/30	1	1
	11	2AV22110	GEAR,30 DEVELOPING	1	1
	12	2AV22120	GEAR,26/14	1	1
	13	2AV22130	GEAR,20	2	2
	14	2AV22160	GEAR,15CL	1	1
	15	2AV22170	GEAR,29	1	1
	16	2AV22200	GEAR,16	1	1
	17	2AV22230	SPRING,FIXING JOINT	1	1
●	18	68822330	BEARING,DRIVE	2	2
	19	2AV22280	GEAR,34/23	1	1
	20	2AV22290	GEAR,24	1	1
	21	2AV22300	GEAR,32/16	2	2
	22	2AV22310	GEAR,16 IDLE	1	1
	23	2AV26030	LEFT WORK PLATE,SAFETY SWITCH	1	1
	24	2AV26270	LEFT PIN,SAFETY SWITCH	1	1
●	25	2AV93120	PARTS,MOTOR MAIN(SP)	1	1
●	26	2AV93130	PARTS,CLUTCH REGISTRATION(SP)	1	1
●	27	2AV27330	CLUTCH,PAPER FEED	1	1
●	28	2AV27340	CLUTCH,BYPASS	1	1
●	29	18522430	COUPLER,TONER SUPPLY	1	1
	30	2AR22030	COUPLING,DRUM	1	1
	31	2AR22570	SPRING,DEVELOPING DRIVE	1	1
	32	45729401	GEAR 20,S,B	3	3
	33	34806150	STOPPER 5	3	3
	34	34922590	SPRING,DRUM DRIVE	1	1
●	35	73210450	BUSH, 6	1	1
	36	2AV22180	GEAR 19,FIXING	1	1
	37	M2104350	EDGING,EDS-0607M(KITAGAWA)	1	1
	38	M2105730	MINIATURE CLAMP,UAMS-07-0	1	1
	39	M2109010	WIRE SADDLE,WS-2NS	1	1
	40	2AV22350	FILM,DRIVE	1	1

2BV

SP	Ref. No.	Part. No.	Description	Quantity	
				230V	240V
	41	2AV22360	SHEET,COUPLING	1	1

- Parts with "●" are component parts or sub-assemblies of the assembly appearing immediately above them.
- Parts with "●" indicates the Service parts.

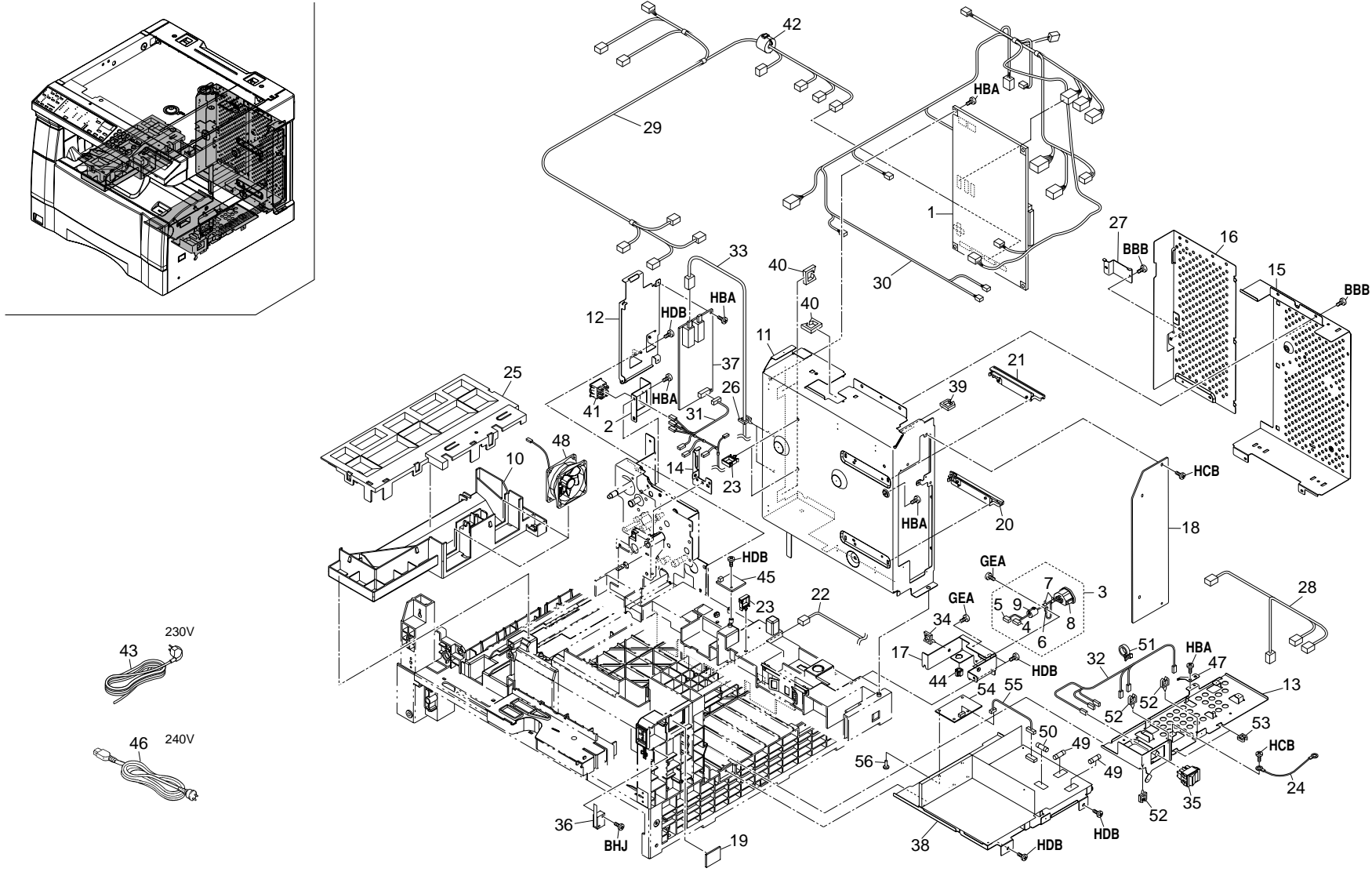


FIG. 12 ELECTRICAL COMPONENTS

SP	Ref. No.	Part. No.	Description	Quantity	
				230V	240V
●	1	2BV01010	MAIN PCB ASS'Y	1	1
	2	2AV26040	LEFT MOUNT,SAFETY SWITCH	1	1
●	3	2AV01030	POWER INLET ASS'Y	1	1
	4	●J0074010	POSITIVE CONNECTOR,#250,172076-1	2	2
	5	●J0074910	POSITIVE CONTACTOR,#250,170334-1	2	2
	6	●L0023070	ROUND TYPE TERMINAL,173636-1	1	1
	7	●M2407010	BINDING BAND SK,SKB-100	2	2
	8	●2AV27350	INLET,POWER SOURCE	1	1
	9	65027480	CORE,9-20X32	1	1
	10	2AV23020	LOWER DUCT,COOLING	1	1
	11	2AV26010	FRAME,SHIELD	1	1
	12	2AV26020	MOUNT,HIGH VOLTAGE PCB	1	1
	13	2AV26060	MOUNT,SUB POWER SOURCE	1	1
	14	2AV26080	MOUNT,BYPASS WIRE	1	1
	15	2AV26090	RIGHT COVER,SHIELD	1	1
	16	2AV26100	LEFT COVER,SHIELD	1	1
	17	2AV26110	MOUNT,INLET	1	1
	18	2BV04040	RIGHT LID	1	1
	19	2BV04070	COVER,TOTAL COUNTER	1	1
	20	2AV26150	GUIDE C,PCB	1	1
	21	2AV26160	GUIDE D,PCB	1	1
	22	2BV27050	WIRE,CASSETTE DETECTION	1	1
	23	M2109000	WIRE SADDLE,WS-1NS	3	3
	24	35327300	GROUND WIRE,CLEANING BRUSH	1	1
	25	2AV23010	UPPER DUCT,COOLING	1	1
	26	M2105400	CLAMP,K-103G	2	2
	27	2AV26260	GROUND PLATE,HIGH VOLTAGE	1	1
	28	2BV27060	WIRE,POWER SOURCE PRIMARY(200)	1	1
	29	2BV27020	WIRE,POWER SOURCE SECONDARY	1	1
	30	2BV27010	UPPER WIRE	1	1
	31	2AV27040	LOWER WIRE	1	1
	32	2AV27070	WIRE,MAIN SWITCH	1	1
	33	2AV27110	WIRE,TRANSFER HIGH VOLTAGE	1	1
	34	M2109010	WIRE SADDLE,WS-2NS	1	1
●	35	2AV27290	SWITCH,MAIN	1	1
	36	2AV27370	SWITCH,INTERLOCK	1	1
●	37	2AV93140	PARTS,PCB HIGH VOLTAGE(SP)	1	1
●	38	2AV93161	PARTS,PCB POWER SOURCE 200(SP)	1	1
	39	M2104200	EDGING EDS-1	1	1
	40	M2104220	EDGING,EDS-1717U	3	3

						2BV	
SP	Ref. No.	Part. No.	Description	Quantity			
				230V	240V		
●	41	2AR27040	SWITCH,INTERLOCK	1	1		
	42	2AR27710	CORE 15-26X13	1	1		
	43	2AR27800	POWER CORD(230)	1	1		
	44	J0110020	PLUG 2P,MINI MATENLOCK,VO,172165-1	1	1		
●	45	2A327010	SENSOR,HUMIDITY	1	1		
	46	29927231	POWER CODE AS(240)		1		
●	47	35911720	GROUND PLATE,PAPER FEED ADF	1	1		
●	48	35923010	FAN,COOLING	2	2		
	49	M1658010	FUSE,218008(LITTEL-FUSE)	2	2		
	50	M5554020	FUSE,SS1-250V-4A(SOC)	1	1		
	51	M2107240	BAND,KI-100(KITAGAWA)	1	1		
	52	M2105730	MINIATURE CLAMP,UAMS-07-0	3	3		
	53	M2104350	EDGING,EDS-0607M(KITAGAWA)	2	2		
	54	2AV28090	COIL,PCB	1	1		
	55	2AV27380	WIRE,COIL (200)	1	1		
	56	M2108700	SPACER,KGLS-8RF	4	4		

- Parts with "●" are component parts or sub-assemblies of the assembly appearing immediately above them.
- Parts with "●" indicates the Service parts.

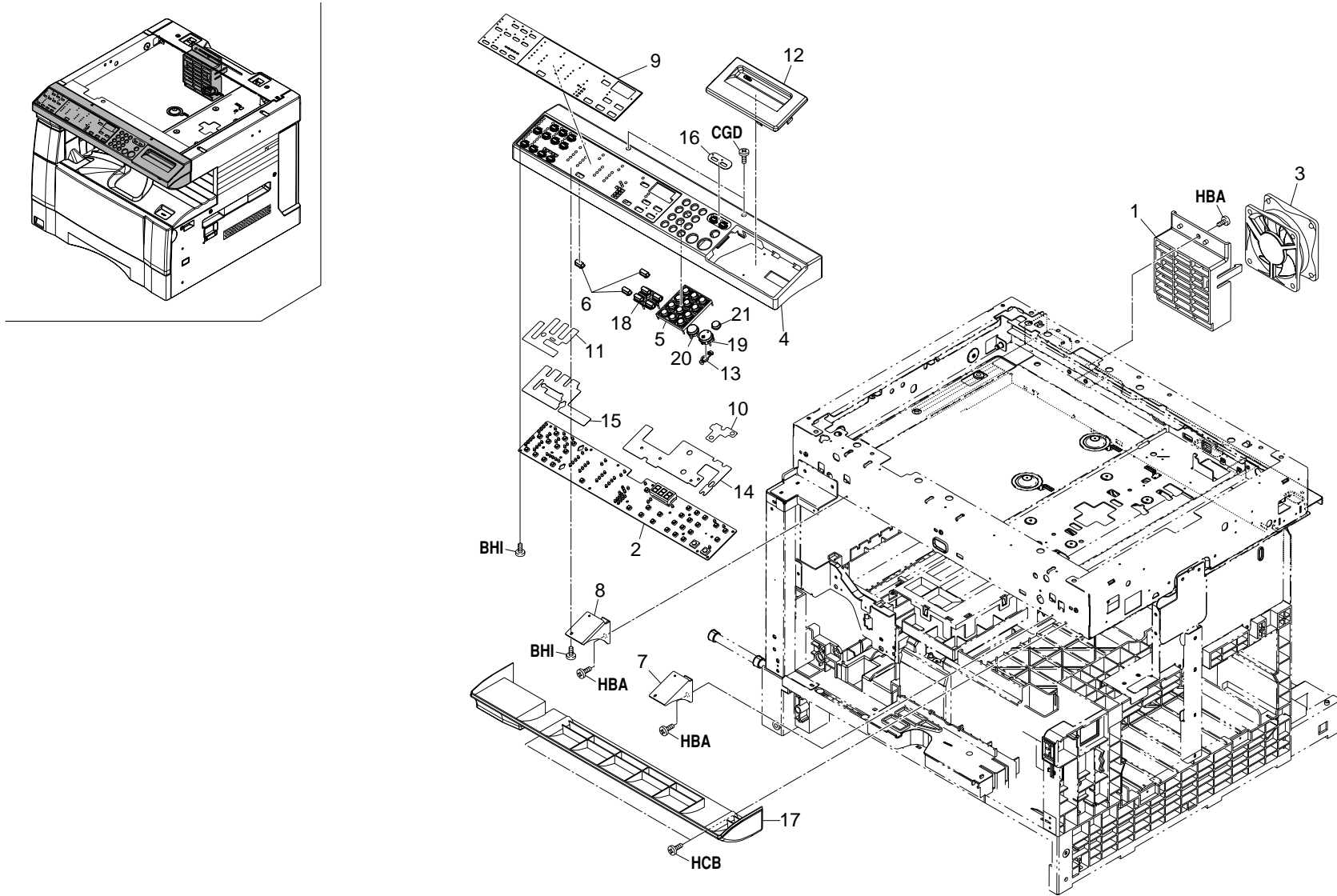


FIG. 13 OPERATION UNIT

2BV

SP	Ref. No.	Part. No.	Description	Quantity	
				230V	240V
	1	2AV23030	MOUNT,FAN	1	1
●	2	2BV28020	OPERATION UNIT PCB	1	1
●	3	35923010	FAN,COOLING	1	1
●	4	2BV25030	C COVER,OPERATION UNIT	1	1
●	5	2AV25020	KEY,OPERATION UNIT 10	1	1
●	6	2AV25070	KEY,PAPER SELECT	3	3
	7	2AV04240	LEFT MOUNT BASE OPERATION UNIT	1	1
	8	2AV04250	RIGHT MOUNT BASE OPERATION UNIT	1	1
●	9	2BV25010	LEFT SHEET,OPERATION UNIT(METRIC)	1	
●	9	2BV25020	LEFT SHEET,OPERATION UNIT(MAP)		1
	10	2AV25260	RIGHT SPACER OPERATION UNIT	1	1
	11	2AV25270	LEFT SPACER OPEARTION UNIT	1	1
●	12	2AV25100	RIGHT COVER,OPERATION UNIT	1	1
●	13	2AV25110	LENS,PRINT KEY	1	1
●	14	2AV25120	RIGHT SHEET,DUST SHIELD	1	1
●	15	2AV25130	LEFT SHEET,DUST SHIELD	1	1
●	16	2AV25190	CENTER SHEET,OPERATION UNIT(INCH)		1
●	16	2AV25240	CENTER SHEET,OPERATION UNIT(METRIC)	1	
●	17	2AV04230	LOWER COVER OPERATION UNIT	1	1
●	18	2AV25170	KEY,ZOOM(INCH)	1	1
●	19	2AV25140	KEY,PRINT(INCH)		1
●	19	2AV25200	KEY,PRINT(METRIC)	1	
●	20	2AV25150	KEY,STOP CLEAR(INCH)		1
●	20	2AV25210	KEY,STOP CLEAR(METRIC)	1	
●	21	2AV25160	KEY,RESET(INCH)		1
●	21	2AV25220	KEY,RESET(METRIC)	1	

- Parts with "●" are component parts or sub-assemblies of the assembly appearing immediately above them.
- Parts with "●" indicates the Service parts.

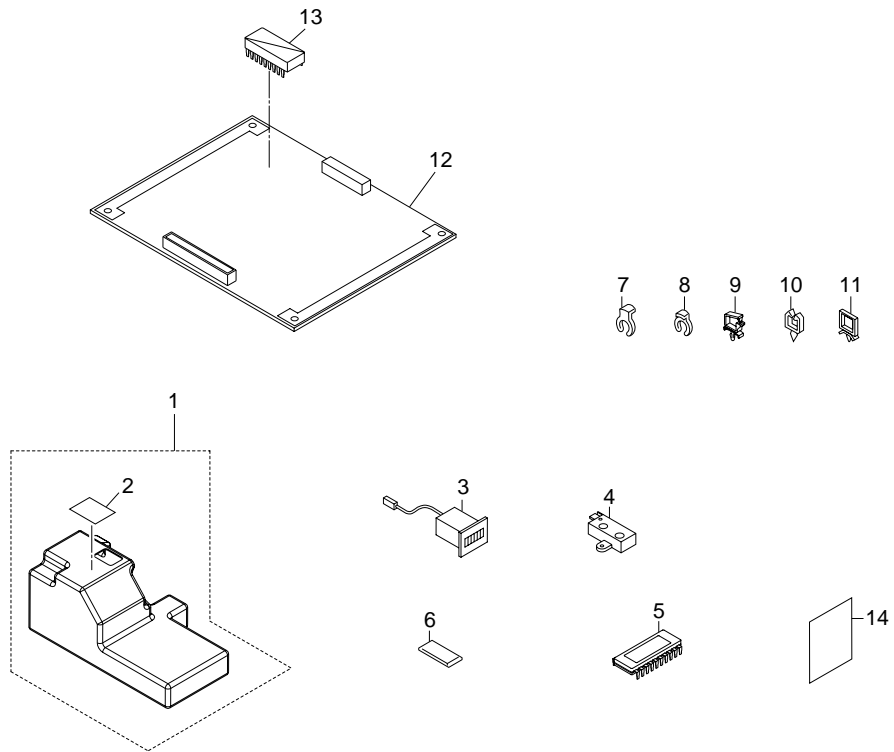


FIG. 14 ACCESSORIES & OPTION

2BV

SP	Ref. No.	Part. No.	Description	Quantity	
				230V	240V
	1	2AV60020	DISPOSAL TANK ASS'Y	1	1
	2	•36505111	LABEL,TONER DISPOSAL TANK	1	1
	3	19527290	TOTAL COUNTER	1	1
	4	35927290	SENSOR,ORIGINAL DETECTION	1	1
●	5	2BV68010	IC,ROM MAIN 1 SP	1	1
	6	65907480	SLIDER,CASSETTE	2	2
	7	33906630	STOPPER 5,RING	2	2
	8	34806480	STOPPER 6	1	1
	9	M2109340	WIRE SADDLE,YMC-05-0(KITAGAWA)	2	2
	10	M2105740	MINIATURE CLAMP,UAMS-05S-2	2	2
	11	M2109010	WIRE SADDLE,WS-2NS	1	1
●	12	2AV68030	SPECIAL TOOL MEMORY PCB	1	1
●	13	NAS09010	BACKUP RAM M48Z35Y-70PC	1	1
	14	3A105020	SEAL ON/OFF	1	1

- Parts with "•" are component parts or sub-assemblies of the assembly appearing immediately above them.
- Parts with "●" indicates the Service parts.

INDEX

2BV

SP	Part. No.	Description	Quantity		Fig. No.
			230V	240V	
	18314060	COLLAR,PARTITION JOINT	1	1	10
	18512340	GUIDE,SCANNER WIRE	2	2	7
●	18522430	COUPLER,TONER SUPPLY	1	1	11
●	19507050	LEVER,CASSETTE BASE RELEASE	1	1	3
	19514270	REAR BUSHING,AGITATION	1	1	9
	19518240	GEAR 12,RECYCLE	1	1	9
	19527290	TOTAL COUNTER	1	1	14
●	2AB93040	PARTS,ROLLER PRESSURE,SP	1	1	10
	2AC05130	LABEL,SUPPLY(EUR)	1	1	1
	2AC12300	HOLDER FFC	1	1	7
	2AC27800	WIRE,SCANNER INVERTER	1	1	7
●	2AR00400	SEPARATION CLAW ASS'Y	3	3	9
	2AR05160	LABEL,IMAGE FORMATION	1	1	9
	2AR05200	LABEL,PAPER UPPER LIMIT	1	1	3
	2AR08030	SHAFT,DRUM	1	1	9
	2AR09040	REAR BUSHING,DRUM SHAFT	1	1	9
	2AR09060	FILM,LIGHT SHIELD	1	1	9
	2AR09140	FRONT BUSHING,DEVELOPING	1	1	9
	2AR09150	REAR BUSHING,DEVELOPING	1	1	9
	2AR09170	RAIL MAIN CHARGER A	1	1	9
	2AR09200	MOUNT M3A	2	2	9
	2AR09210	MOUNT M3B	8	8	9
	2AR09220	MOUNT M3C	2	2	9
	2AR09230	FRONT BUSHING,DRUM SHAFT	1	1	9
	2AR09240	MOUNT M3D	1	1	9
	2AR10020	GRID,SHIELD	1	1	9
	2AR10030	TERMINAL,MAIN CHARGER	1	1	9
	2AR10040	FRONT LID,MAIN CHARGER	1	1	9
	2AR10050	REAR LID,MAIN CHARGER	1	1	9
	2AR10060	TERMINAL BASE,MAIN CHARGER	1	1	8
	2AR10070	SHEET,MAIN CHARGER TERMINAL BASE	1	1	8
	2AR10080	MOUNT BASE,CLEANING LAMP	1	1	2
	2AR10090	SEAL,MAIN CHARGER	3	3	9
	2AR10120	HOUSING A,MAIN CHARGER	1	1	9
	2AR10130	SLIDER,MAIN CHARGER CLEANER	1	1	9
	2AR10140	HOLDER,MAIN CHARGER CLEANER	1	1	9
	2AR10150	PAD,MAIN CHARGER CLEANER	1	1	9
	2AR10160	WIRE,MAIN CHARGER	1	1	9
	2AR12200	FILM,FFC	1	1	7
	2AR14010	MAGNET,DEVELOPING	1	1	9

SP	Part. No.	Description	Quantity		Fig. No.
			230V	240V	
	2AR14030	PADDLE,DEVELOPING	7	7	9
	2AR14040	LEFT SPIRAL,DEVELOPING	1	1	9
	2AR14050	RIGHT SPIRAL,DEVELOPING	1	1	9
	2AR14091	FRONT BUSHING,MAGNET ROLLER	1	1	9
	2AR14100	RETAINER,MAGNET ROLLER	1	1	9
	2AR14110	GEAR 16,MAGNET ROLLER	1	1	9
	2AR14130	FRONT SPONGE B,LID DEVELOPING	1	1	9
	2AR14140	FRONT SPONGE C,LID DEVELOPING	1	1	9
	2AR14160	SPACER,TONER SENSOR	1	1	9
	2AR14170	FRONT LID,DEVELOPING	1	1	9
	2AR14200	FRONT SPONGE,DEVELOPING	1	1	9
	2AR14211	RIGHT SPONGE,DEVELOPING	1	1	9
	2AR14240	SEAL,MAGNET ROLLER	2	2	9
	2AR14250	SEAL,DEVELOPING	2	2	9
	2AR14290	RIGHT FILM,DEVELOPING	1	1	9
	2AR14300	LOWER FILM,DEVELOPING	3	3	9
	2AR14310	GEAR 19,PADDLE	1	1	9
	2AR14330	LEFT SPONGE,DEVELOPING	1	1	9
	2AR14340	SHAFT,PADDLE	1	1	9
	2AR14350	FRONT SPONGE E,LID DEVELOPING	1	1	9
	2AR14380	REAR BUSHING,AGITATION	3	3	9
	2AR14411	RIGHT FRONT SPONGE,DEVELOPING	1	1	9
	2AR14490	FRONT SPONGE F,LID DEVELOPING	1	1	9
	2AR14500	FRONT SPONGE G,LID DEVELOPING	1	1	9
	2AR14510	FRONT SPONGE H,LID DEVELOPING	1	1	9
	2AR14520	FRONT SPONGE I,LID DEVELOPING	1	1	9
	2AR14540	LOWER FRONT FILM,LID DEVELOPING	1	1	9
	2AR14551	HOUSING A,DEVELOPING	1	1	9
	2AR14560	MOUNT A,DOCTOR BLADE	1	1	9
	2AR14570	COVER A,DOCTOR BLADE	1	1	9
	2AR14580	DOCTOR BLADE A,DEVELOPING	1	1	9
	2AR14590	UPPER LID A,DEVELOPING	1	1	9
	2AR14600	UPPER SPONGE A,LID DEVELOPING	1	1	9
	2AR14610	SPONGE,DEVELOPING HOUSING	2	2	9
	2AR14620	FRONT SPONGE,DEVELOPING HOUSING	1	1	9
	2AR14630	REAR SPONGE,DEVELOPING HOUSING	1	1	9
	2AR14640	REAR SPONGE,LID	1	1	9
	2AR14650	SPONGE,COVER DOCTOR BLADE	1	1	9
	2AR14660	FILM A,DEVELOPING	2	2	9
	2AR14670	FILM A,COVER DOCTOR BLADE	1	1	9

• Parts with "●" indicates the Service parts.

SP	Part. No.	Description	Quantity		Fig. No.
			230V	240V	
	2AR15020	MOVING BASE,CARTRIDGE	1	1	2
	2AR15060	COVER,CARTRIDGE MOUNT BASE	1	1	2
	2AR15080	LEVER,CARTRIDGE MOVING	1	1	2
	2AR16130	MOUNT BASE,TRANSFER ROLLER BUSHING	2	2	5
	2AR17030	FRONT BUSHING,TRANSFER ROLLER PRES	1	1	5
	2AR17040	REAR BUSHING,TRANSFER ROLLER PRESS	1	1	5
	2AR17070	TERMINAL,TRANSFER PRESSURE	1	1	5
	2AR17080	COLLAR,TRANSFER ROLLER	2	2	5
	2AR17090	CLEANER,TRANSFER	1	1	5
	2AR17120	PULLEY,TRANSFER ROLLER	2	2	5
	2AR18050	SPIRAL,CLEANING	1	1	9
	2AR18070	SPIRAL,RECYCLE	1	1	9
	2AR18080	SPACER,DRUM	1	1	9
	2AR18090	SHAFT,THRUST	1	1	9
	2AR18100	GEAR 21,THRUST	1	1	9
	2AR18110	GEAR 17,SPIRAL	1	1	9
	2AR18120	BUSHING,THRUST	2	2	9
	2AR18151	FRONT SPONGE A,CLEANING	1	1	9
	2AR18160	REAR SPONGE A,CLEANING	1	1	9
	2AR18170	INNER SPONGE,CLEANING	1	1	9
	2AR18191	LOWER SPONGE,CLEANING	1	1	9
	2AR18200	FRONT SPONGE,CLEANING	1	1	9
	2AR18211	FRONT SEAL A,CLEANING	1	1	9
	2AR18221	REAR SEAL A,CLEANING	1	1	9
	2AR18240	CLAW,SEPARATION	3	3	9
	2AR18250	MOUNT BASE,CLAW SEPARATION	3	3	9
	2AR18260	PULLEY,CLAW SEPARATION	3	3	9
	2AR18280	SPRING,CLAW SEPARATION	3	3	9
	2AR18341	SPONGE,MOUNT BLADE	2	2	9
	2AR18371	SPONGE,CLEANING	2	2	9
	2AR18380	BUSHING,CLEANING	2	2	9
	2AR18400	HOUSING A,CLEANING	1	1	9
	2AR18410	MOUNT A,BLADE	1	1	9
	2AR18430	LEVER A,PRESSURE RELEASE	2	2	9
	2AR18450	GUIDE,SPIRAL	1	1	9
	2AR18460	FRONT SPONGE C,CLEANING	1	1	9
	2AR18470	REAR SPONGE C,CLEANING	1	1	9
	2AR18480	LOWER SPONGE A,CLEANING	2	2	9
	2AR22030	COUPLING,DRUM	1	1	11
	2AR22570	SPRING,DEVELOPING DRIVE	1	1	11

SP	Part. No.	Description	Quantity		Fig. No.
			230V	240V	
●	2AR27031	LAMP,CLEANING LAMP	1	1	8
●	2AR27040	SWITCH,INTERLOCK	1	1	12
	2AR27620	DIODE,DEVELOPING SEAL	1	1	9
	2AR27710	CORE 15-26X13	1	1	12
	2AR27720	CORE 8-18X13	1	1	7
	2AR27800	POWER CORD(230)	1	1	12
●	2AR93400	PARTS,COVER A DOCTOR BLADE ASS'Y(SP)	1	1	9
●	2AR93410	PARTS,SEAL CLEANING LOWER A(SP)	1	1	9
●	2AR93420	PARTS,MAIN CHARGER ASS'Y A(SP)	1	1	9
	2AV00010	SCANNER FRAME ASS'Y	1	1	7
●	2AV01030	POWER INLET ASS'Y	1	1	12
	2AV02010	BASE,MACHINE	1	1	2
	2AV02020	UPPER FRAME,MACHINE	1	1	2
	2AV02030	FRONT FRAME	1	1	2
	2AV02040	REAR FRAME	1	1	2
	2AV02050	RIGHT SUPPORT PLATE,SCANNER	1	1	2
	2AV02060	LEFT SUPPORT PLATE,SCANNER	1	1	2
	2AV02070	FRONT STAY	1	1	2
	2AV02080	TOP REINFORCEMENT	1	1	2
	2AV02090	LOWER FRONT REINFORCEMENT	1	1	2
	2AV02100	RIGHT REINFORCEMENT	1	1	2
	2AV02110	MOUNT,SHAFT HANDLE	1	1	2
	2AV02120	MOUNT HINGE	2	2	1
●	2AV02140	FRONT HINGE,COVER	2	2	1
	2AV02150	FRONT RETAINER,SCANNER	1	1	2
	2AV02160	RIGHT RETAINER,SCANNER	1	1	2
●	2AV02170	SHAFT,HANDLE	2	2	2
	2AV02180	GROUND PLATE,REGISTRATION ROLLER	1	1	4
●	2AV04020	HOLDER SAFETY SWITCH	1	1	1
●	2AV04030	UPPER FRONT COVER	1	1	1
●	2AV04040	FRONT LEFT COVER	1	1	1
●	2AV04050	UPPER LEFT COVER	1	1	1
●	2AV04060	LEFT COVER,MIDDLE	1	1	1
●	2AV04070	LOWER LEFT COVER	1	1	1
●	2AV04080	REAR LEFT COVER	1	1	1
●	2AV04090	RIGHT COVER	1	1	1
●	2AV04100	REAR COVER SCANNER	1	1	1
●	2AV04110	UPPER COVER,CONVEYING	1	1	5
●	2AV04120	COVER,CONVEYING	1	1	5
	2AV04130	SHAFT,CONVEYING HANDLE	1	1	5

• Parts with "●" indicates the Service parts.

SP	Part. No.	Description	Quantity		Fig. No.	SP	Part. No.	Description	Quantity		Fig. No.
			230V	240V					230V	240V	
	2AV04140	FULCRUM PIN,CONVEYING UNIT	1	1	5		2AV06230	SPRING,BYPASS PAD	1	1	4
●	2AV04150	HANDLE,CONVEYING UNIT	1	1	5		2AV06240	RIGHT FRONT GUIDE FILM,REGISTRATION	6	6	2
●	2AV04160	UPPER COVER,EJECT	1	1	1		2AV06250	GUIDE FILM,RAIL CASSETTE	1	1	2
●	2AV04170	COVER,TRAY	1	1	1		2AV06260	GUIDE,REGISTRATION	2	2	5
●	2AV04180	COVER DUCT	1	1	2		2AV06271	LEFT FRONT FILM,REGISTRATION	2	2	5
●	2AV04190	REAR COVER	1	1	1		2AV06300	FILM,BYPASS STOPPER TAPE	1	1	4
●	2AV04210	REAR COVER,TRAY	1	1	1	●	2AV06320	PULLEY,PAPER FEED	1	1	4
●	2AV04220	UPPER REAR COVER,TRAY	1	1	1		2AV06330	SHEET B,BYPASS	4	4	2
●	2AV04230	LOWER COVER OPERATION UNIT	1	1	13		2AV06340	FRONT FILM,BYPASS PAD	4	4	2
	2AV04240	LEFT MOUNT BASE OPERATION UNIT	1	1	13		2AV06350	FRONT SPACER A,CLAW CASSETTE	1	1	3
	2AV04250	RIGHT MOUNT BASE OPERATION UNIT	1	1	13		2AV06380	REINFORCEMENT,BYPASS	1	1	4
●	2AV04260	LID RIGHT COVER	1	1	1		2AV06390	PLATE SPRING,BYPASS TABLE	1	1	2
●	2AV05050	LABEL,CONVEYING JAM	1	1	1		2AV06400	SPONGE,BYPASS TABLE	2	2	2
●	2AV05090	SHEET,CASSETTE SIZE INDICATION(MET	1	1	3		2AV06410	SPONGE,PAPER GUIDE	2	2	3
●	2AV05110	LABEL,BYPASS SIZE INDICATION(METRIC)	1	1	4		2AV06420	FILM,CLAW CASSETTE	1	1	3
	2AV05130	LEFT LABEL,GUIDE EJECT	2	2	10		2AV06430	FILM,SHEET CASSETTE	1	1	3
	2AV05170	LABEL,HIGH TEMPERATURE CAUTION	1	1	10		2AV06450	SPACER,BYPASS PAD	2	2	4
	2AV05280	LABEL,CASSETTE	1	1	3		2AV06460	SPACER,BYPASS PULLEY	1	1	4
●	2AV06010	PULLEY,PAPER FEED	2	2	4		2AV07010	CASSETTE,PAPER FEED	1	1	3
	2AV06020	SHAFT,PAPER FEED	1	1	4	●	2AV07020	COVER,CASSETTE	1	1	3
●	2AV06030	COLLAR,PAPER FEED	2	2	4	●	2AV07030	SHEET,CASSETTE	1	1	3
	2AV06040	MOUNT,REGISTRATION SWITCH	1	1	4		2AV07040	GROUND PLATE,CASSETTE	1	1	3
	2AV06050	MOUNT,REGISTRATION CLEANER	1	1	4		2AV07050	FRONT CURSOR,CASSETTE	1	1	3
●	2AV06060	RIGHT ROLLER,REGISTRATION	1	1	4		2AV07060	REAR CURSOR,CASSETTE	1	1	3
●	2AV06070	LEFT ROLLER,REGISTRATION	1	1	5		2AV07070	WORK PLATE,CASSETTE	1	1	3
	2AV06080	LEFT RAIL,CASSETTE	1	1	2	●	2AV07100	UPPER TABLE,BYPASS	1	1	4
	2AV06090	MOUNT,PAPER EMPTY SWITCH	1	1	4	●	2AV07110	COVER,BYPASS TABLE	1	1	4
	2AV06100	RIGHT MOUNT,SIZE DETECTION	1	1	2		2AV07120	FRONT CURSOR,BYPASS	1	1	4
	2AV06110	SHAFT,BYPASS	1	1	4		2AV07130	REAR CURSOR,BYPASS	1	1	4
	2AV06120	CAM,BYPASS	1	1	4		2AV07140	FRONT RACK,BYPASS	1	1	4
	2AV06130	LIFT PLATE,BYPASS	1	1	4		2AV07150	REAR RACK,BYPASS	1	1	4
	2AV06140	STOPPER,BYPASS	1	1	4	●	2AV07160	SUPPORT PLATE,BYPASS	1	1	4
	2AV06150	MOUNT BASE,BYPASS PAD	1	1	4		2AV07190	FRONT CLAW A,CASSETTE	1	1	3
●	2AV06160	SHEET,BYPASS	1	1	4		2AV07200	REAR CLAW A,CASSETTE	1	1	3
	2AV06171	COVER,BYPASS	1	1	4		2AV09010	FRONT FRAME,IMAGE FORMATION	1	1	9
	2AV06180	COLLAR A,BYPASS PAPER FEED	1	1	4		2AV09020	REAR FRAME,IMAGE FORMATION	1	1	9
	2AV06190	COLLAR B,BYPASS PAPER FEED	1	1	4		2AV09030	FRONT COVER,IMAGE FORMATION	1	1	9
	2AV06200	COLLAR C,BYPASS PAPER FEED	2	2	4		2AV12080	GUIDE FFC1	1	1	7
●	2AV06210	SHEET,BYPASS LIFT	1	1	4		2AV12091	MIRROR FRAME A	1	1	7
	2AV06220	SPRING,BYPASS LIFT	1	1	4	●	2AV12100	LAMP,SCANNER	1	1	7

• Parts with "●" indicates the Service parts.

SP	Part. No.	Description	Quantity		Fig. No.
			230V	240V	
	2AV12110	REFLECTOR,SCANNER	1	1	7
	2AV12120	LIGHT SHIELD,PI	1	1	7
	2AV12130	MIRROR FRAME B	1	1	7
	2AV12140	ADJUSTING PLATE B,MIRROR FRAME	1	1	7
●	2AV12150	MIRROR A	1	1	7
●	2AV12160	MIRROR B	2	2	7
	2AV12170	MOUNT,SCANNER PI	1	1	7
	2AV12180	PULLY,SCANNER	8	8	7
●	2AV12190	FRONT WIRE,SCANNER	1	1	7
●	2AV12200	REAR WIRE,SCANNER	1	1	7
	2AV12210	SHAFT,SCANNER DRIVE	1	1	7
	2AV12230	GEAR 44/16	1	1	7
	2AV12240	GEAR 26	1	1	7
	2AV12260	MOUNT BASE,DF HINGE	2	2	7
	2AV12270	MOUNT,SCANNER MOTOR	1	1	7
	2AV12310	COVER,OPERATION UNIT WIRE	1	1	7
	2AV12320	FILM A,MIRROR FRAME	1	1	7
	2AV12340	MOUNT,ORIGINAL DETECTION SENSOR	1	1	7
	2AV12350	STOPPER,WIRE	2	2	7
	2AV12430	LOWER SEAL,SCANNER	2	2	7
●	2AV12450	SLIDER,SCANNER	8	8	7
●	2AV12460	REAR ORIGINAL SIZE INDICATOR(METRIC)	1	1	7
●	2AV12480	LABEL,ORIGINAL SIZE INDICATOR(METRC)	1	1	7
	2AV12500	SPRING,SCANNER TENSION	2	2	7
	2AV12520	COVER,ISU	1	1	7
●	2AV13010	UNIT,LSU	1	1	8
	2AV13020	SPACER,LSU	1	1	8
	2AV13030	SPONGE,LASER DIODE	1	1	8
	2AV13040	SPONGE,POLYGON	1	1	8
	2AV13050	RIGHT SPACER,LSU	1	1	8
	2AV13060	FILM,LSU	1	1	8
	2AV13070	UNDER SPACER,LSU	1	1	8
	2AV15010	MOVING BASE,CARTRIDGE DRIVE	1	1	2
	2AV15020	MOUNT,CARTRIDGE DRIVE	1	1	2
	2AV15050	GEAR C,TONER SUPPLY	1	1	2
	2AV15060	GEAR D,TONER SUPPLY	1	1	2
	2AV16010	GUIDE,TRANSFER	1	1	5
	2AV16020	STATIC ELIMINATION PLATE,CONVEYING	1	1	5
	2AV16030	TERMINAL,TRANSFER	1	1	5
	2AV16040	RIGHT GUIDE,TRANSFER	1	1	9

SP	Part. No.	Description	Quantity		Fig. No.
			230V	240V	
	2AV16050	FRONT POSITIONING PLATE,TRANSFER ROLLER	1	1	9
	2AV16060	REAR POSITIONING PLATE,TRANSFER ROLLER	1	1	9
	2AV16070	GROUND PLATE,CONVEYING UNIT	1	1	5
●	2AV16080	HOLDER,REGISTRATION	2	2	5
	2AV16100	ROLLER,TRANSFER	1	1	5
	2AV16110	FRONT FILM,TRANSFER GUIDE	1	1	9
	2AV16120	FRONT SHEET,TRANSFER GUIDE	1	1	5
	2AV16130	RIGHT SPONGE,GUIDE	1	1	9
	2AV18010	HOUSING,DISPOSAL	1	1	9
	2AV18020	SHUTTER,DISPOSAL	1	1	9
●	2AV18040	SEAL,SHUTTER	1	1	9
	2AV18050	SPRING,BLADE	2	2	9
	2AV18060	FILM,MOUNT BLADE	2	2	9
	2AV18070	INNER FILM,CLEANING	1	1	9
	2AV18080	GUIDE,SEPARATION	3	3	9
	2AV18090	SEAL B,SHUTTER	2	2	9
	2AV18100	SPONGE,SHUTTER	1	1	9
	2AV20010	FRONT FRAME,FIXING	1	1	10
	2AV20020	REAR FRAME,FIXING	1	1	10
	2AV20030	UPPER HOUSING,FIXING	1	1	10
	2AV20040	LOWER HOUSING,FIXING	1	1	10
	2AV20051	FRONT GUIDE,FIXING	1	1	10
	2AV20060	FRONT PRESSING PLATE,FIXING	1	1	10
	2AV20070	REAR PRESSING PLATE,FIXING	1	1	10
	2AV20080	FRONT MOUNT,FIXING HEATER	1	1	10
	2AV20090	REAR MOUNT,FIXING HEATER	1	1	10
●	2AV20150	ROLLER,EJECT	1	1	10
●	2AV20160	PULLEY,EJECT	2	2	10
	2AV20170	SHAFT,EJECT PULLEY	1	1	10
	2AV20180	GUIDE,EJECT	1	1	10
	2AV20190	GUIDE,FEED SHIFT	1	1	10
●	2AV20200	ACTUATOR,EJECT SWITCH	1	1	10
●	2AV20210	SPRING,EJECT ACTUATOR	1	1	10
	2AV20220	LEFT GUIDE,EJECT	1	1	10
	2AV20230	MOUNT,THERMOSTAT	1	1	10
	2AV20240	MOUNT,THERMISTOR	1	1	10
●	2AV20250	THERMISTOR,FIXING	1	1	10
	2AV20260	HOLDER,FIXING WIRE	1	1	10
	2AV20270	PIN,FIXING RETAINING(M3)	2	2	10
	2AV20290	RIGHT SHEET,FIXING	1	1	10

• Parts with "●" indicates the Service parts.

SP	Part. No.	Description	Quantity		Fig. No.
			230V	240V	
	2AV22010	FRONT FRAME,DRIVE UNIT	1	1	11
	2AV22020	REAR FRAME,DRIVE UNIT	1	1	11
	2AV22031	POSITIONING PLATE,DRUM	1	1	11
	2AV22040	SHAFT,COUPLING	1	1	11
	2AV22050	SHAFT,DEVELOPING DRIVE	1	1	11
	2AV22060	SHAFT,CLEANING DRIVE	1	1	11
	2AV22100	GEAR,52/30	1	1	11
	2AV22110	GEAR,30 DEVELOPING	1	1	11
	2AV22120	GEAR,26/14	1	1	11
	2AV22130	GEAR,20	2	2	11
	2AV22160	GEAR,15CL	1	1	11
	2AV22170	GEAR,29	1	1	11
	2AV22180	GEAR 19,FIXING	1	1	11
	2AV22200	GEAR,16	1	1	11
	2AV22230	SPRING,FIXING JOINT	1	1	11
	2AV22280	GEAR,34/23	1	1	11
	2AV22290	GEAR,24	1	1	11
	2AV22300	GEAR,32/16	2	2	11
	2AV22310	GEAR,16 IDLE	1	1	11
	2AV22320	GEAR A,58/30	1	1	11
	2AV22330	GEAR A,48/27	1	1	11
	2AV22340	GEAR A,60 DRUM	1	1	11
	2AV22350	FILM,DRIVE	1	1	11
	2AV22360	SHEET,COUPLING	1	1	11
	2AV23010	UPPER DUCT,COOLING	1	1	12
	2AV23020	LOWER DUCT,COOLING	1	1	12
	2AV23030	MOUNT,FAN	1	1	13
●	2AV25020	KEY,OPERATION UNIT 10	1	1	13
●	2AV25070	KEY,PAPER SELECT	3	3	13
●	2AV25100	RIGHT COVER,OPERATION UNIT	1	1	13
●	2AV25110	LENS,PRINT KEY	1	1	13
●	2AV25120	RIGHT SHEET,DUST SHIELD	1	1	13
●	2AV25130	LEFT SHEET,DUST SHIELD	1	1	13
●	2AV25140	KEY,PRINT(INCH)	1	1	13
●	2AV25150	KEY,STOP CLEAR(INCH)	1	1	13
●	2AV25160	KEY,RESET(INCH)	1	1	13
●	2AV25170	KEY,ZOOM(INCH)	1	1	13
●	2AV25190	CENTER SHEET,OPERATION UNIT(INCH)	1	1	13
●	2AV25200	KEY,PRINT(METRIC)	1	1	13
●	2AV25210	KEY,STOP CLEAR(METRIC)	1	1	13

• Parts with "●" indicates the Service parts.

SP	Part. No.	Description	Quantity		Fig. No.
			230V	240V	
●	2AV25220	KEY,RESET(METRIC)	1		13
●	2AV25240	CENTER SHEET,OPERATION UNIT(METRIC)	1		13
	2AV25260	RIGHT SPACER OPERATION UNIT	1	1	13
	2AV25270	LEFT SPACER OPEARTION UNIT	1	1	13
	2AV26010	FRAME,SHIELD	1	1	12
	2AV26020	MOUNT,HIGH VOLTAGE PCB	1	1	12
	2AV26030	LEFT WORK PLATE,SAFETY SWITCH	1	1	11
	2AV26040	LEFT MOUNT,SAFETY SWITCH	1	1	12
	2AV26060	MOUNT,SUB POWER SOURCE	1	1	12
	2AV26080	MOUNT,BYPASS WIRE	1	1	12
	2AV26090	RIGHT COVER,SHIELD	1	1	12
	2AV26100	LEFT COVER,SHIELD	1	1	12
	2AV26110	MOUNT,INLET	1	1	12
	2AV26150	GUIDE C,PCB	1	1	12
	2AV26160	GUIDE D,PCB	1	1	12
	2AV26230	MOUNT,DF CONNECTOR	1	1	7
	2AV26250	GROUND PLATE,LSU	1	1	2
	2AV26260	GROUND PLATE,HIGH VOLTAGE	1	1	12
	2AV26270	LEFT PIN,SAFETY SWITCH	1	1	11
	2AV26280	GROUND PLATE A,HANDLE	1	1	2
	2AV26300	GROUND PLATE STAY	1	1	2
	2AV27040	LOWER WIRE	1	1	12
	2AV27060	WIRE,FIXING	1	1	10
	2AV27070	WIRE,MAIN SWITCH	1	1	12
	2AV27080	WIRE,IMAGE FORMATION	1	1	9
	2AV27090	WIRE,MAIN HIGH VOLTAGE	1	1	8
	2AV27100	WIRE,GRID	1	1	8
	2AV27110	WIRE,TRANSFER HIGH VOLTAGE	1	1	12
	2AV27120	JUNCTION WIRING,THERMOSTAT	1	1	10
	2AV27130	WIRE,OPERATION UNIT	1	1	7
	2AV27150	WIRE,SCANNER HOME	1	1	7
	2AV27180	WIRE,BYPASS TRAY	1	1	4
●	2AV27260	SWITCH,REGISTRATION	1	1	4
●	2AV27270	JUNCTION WIRING,PAPER EMPTY SWITCH	1	1	4
●	2AV27290	SWITCH,MAIN	1	1	12
	2AV27310	JUNCTION WIRING,POLYGON	1	1	8
	2AV27320	JUNCTION WIRING,LASER DIODE	1	1	8
●	2AV27330	CLUTCH,PAPER FEED	1	1	11
●	2AV27340	CLUTCH,BYPASS	1	1	11
	2AV27350	INLET,POWER SOURCE	1	1	12

SP	Part. No.	Description	Quantity		Fig. No.
			230V	240V	
	2AV27370	SWITCH,INTERLOCK	1	1	12
	2AV27380	WIRE,COIL (200)	1	1	12
●	2AV28080	INVERTER PCB	1	1	7
	2AV28090	COIL,PCB	1	1	12
	2AV60020	DISPOSAL TANK ASS'Y	1	1	14
●	2AV68030	SPECIAL TOOL MEMORY PCB	1	1	14
●	2AV82010	SET,DRUM	1	1	9
●	2AV93010	PARTS,ASS'Y LEFT REGISTRATION CLEANER	1	1	5
●	2AV93020	PARTS,ASS'Y RIGHT REGISTRATION CLEANER	1	1	4
●	2AV93030	PARTS,ASS'Y TRANSFER ROLLER,SP	1	1	5
●	2AV93050	PARTS,MOTOR SCANNER(SP)	1	1	7
●	2AV93060	PARTS,BLADE CLEANING(SP)	1	1	9
●	2AV93071	PARTS,ROLLER HEAT(SP)	1	1	10
●	2AV93100	PARTS,HEATER FIXING 230(SP)	1	1	10
●	2AV93120	PARTS,MOTOR MAIN(SP)	1	1	11
●	2AV93130	PARTS,CLUTCH REGISTRATION(SP)	1	1	11
●	2AV93140	PARTS,PCB HIGH VOLTAGE(SP)	1	1	12
●	2AV93161	PARTS,PCB POWER SOURCE 200(SP)	1	1	12
●	2A105180	LABEL,CAUTION CONTACT GLASS	1	1	7
●	2A305070	LEFT ORIGINAL SIZE INDICATOR	1	1	7
●	2A327010	SENSOR,HUMIDITY	1	1	12
●	2BV01010	MAIN PCB ASS'Y	1	1	12
●	2BV04010	COVER,ORIGINAL	1	1	6
●	2BV04020	POCKET,ORIGINAL	1	1	6
	2BV04030	REAR LID	1	1	7
	2BV04040	RIGHT LID	1	1	12
	2BV04050	UPPER REAR SEAL	1	1	1
●	2BV04060	COVER,FRONT	1	1	1
	2BV04070	COVER,TOTAL COUNTER	1	1	12
	2BV07010	PROJECTION,CASSETTE SIZE DETECTION	1	1	3
	2BV12010	LEFT COVER,ORIGINAL SIZE INDICATOR	1	1	7
●	2BV12020	MAT,ORIGINAL HOLDER	1	1	6
●	2BV12030	HINGE,ORIGINAL HOLDER	2	2	6
	2BV12040	LEFT SHEET,ORIGINAL SIZE INDICATOR	1	1	7
	2BV12050	LEFT SPONGE,SCANNER	1	1	7
	2BV12060	RIGHT SPONGE,SCANNER	1	1	7
●	2BV25010	LEFT SHEET,OPERATION UNIT(METRIC)	1		13
●	2BV25020	LEFT SHEET,OPERATION UNIT(MAP)		1	13
●	2BV25030	CCOVER,OPERATION UNIT	1	1	13
	2BV27010	UPPER WIRE	1	1	12

SP	Part. No.	Description	Quantity		Fig. No.
			230V	240V	
	2BV27020	WIRE,POWER SOURCE SECONDARY	1	1	12
	2BV27030	WIRE,SWITCH JUNCTION	1	1	7
	2BV27050	WIRE,CASSETTE DETECTION	1	1	12
	2BV27060	WIRE,POWER SOURCE PRIMARY(200)	1	1	12
	2BV27070	CORE 11-16X12	1	1	7
●	2BV28020	OPERATION UNIT PCB	1	1	13
●	2BV68010	IC,ROM MAIN 1 SP	1	1	14
	20305090	LABEL,HIGH VOLTAGE CAUTION	1	1	5
●	28220071	SPRING,FIXING UNIT CLAW	1	1	10
	29705100	CAUTION LABEL,DRUM	1	1	5
●	29717230	BUSHING 6,FEED BACK	1	1	10
●	29806810	BUSHING 6 REGISTRATION	1	1	10
●	29812291	CUSHION,CONTACT GLASS	6	6	7
	29814340	GEAR 18,DEVELOPER UNIT	1	1	5
	29820190	CRESCENTIC STOPPER	2	2	10
	29927231	POWER CODE AS(240)	1	1	12
	3AH07060	SPRING,BYPASS STOPPER	1	1	9
	3A105020	SEAL ON/OFF	1	1	14
	33302080	MOUNT M3	2	2	9
	33906630	STOPPER 5,RING	2	2	14
	33906640	RIGHT SPRING,FEED RELEASE	1	1	5
	33906670	RIGHT HOOK,FEED RELEASE	2	2	5
	33907110	TERMINAL,PAPER SIZE PCB	1	1	4
	33910230	PIN CHARGER	1	1	9
	33914190	TONER SENSOR	1	1	9
●	33915190	TONER MOTOR	1	1	2
●	33928111	SIZE DETECTION PCB	1	1	4
	34806150	STOPPER 5	8	8	4,10,11
	34806331	UPPER CLEANER,REGISTRATION	1	1	4
	34806480	STOPPER 6	1	1	14
●	34821100	STATIC ELIMINATOR,EJECT	1	1	5
●	34907060	LEVER,CURSOR RETAINING	1	1	3
	34907070	PIN,CLAW CASSETTE	2	2	3
	34907141	GEAR 18,CASSETTE	1	1	3
	34907380	SPRING,CASSETTE	2	2	3
	34909050	FRONT GROUND PLATE,DRUM DRIVE	1	1	9
	34918200	SPRING,THRUST	2	2	7,9
	34922570	GEAR 23,DEVELOPING	2	2	9
	34922590	SPRING,DRUM DRIVE	1	1	11
	35322020	GEAR 20,PAPER FEED DRIVE	1	1	9

• Parts with "●" indicates the Service parts.

SP	Part. No.	Description	Quantity		Fig. No.
			230V	240V	
●	35327300	GROUND WIRE,CLEANING BRUSH	1	1	12
●	35327400	SWITCH,FEED	1	1	10
	35904240	AUXILIARY PLATE,CONVEYING UNIT	1	1	1
●	35906090	GEAR 15,REGISTRATION	1	1	4
●	35907091	CURSOR,PAPER TRAILING EDGE	1	1	3
●	35907171	MOUNT BASE,TRAILING EDGE CURSOR	1	1	3
●	35911720	GROUND PLATE,PAPER FEED ADF	1	1	12
●	35912010	CONTACT GLASS	1	1	7
●	35912060	PULLEY,SCANNER DRUM	2	2	7
	35912200	STANDARD PLATE,SHADING	1	1	7
	35912210	SPRING,MIRROR HOLDER	6	6	7
	35912360	GUIDE FFC2	1	1	7
●	35912490	FRONT ORIGINAL SIZE INDICATOR	1	1	7
●	35912531	SPONGE,ORIGINAL SIZE INDICATOR	1	1	7
	35914820	BEARING,DEVELOPING	1	1	9
●	35920130	BEARING,PRESSURE	2	2	10
●	35920140	SPRING,PRESSURE	2	2	10
●	35920150	CLAW,SEPARATION	5	5	10
●	35920240	GEAR 35,HEAT ROLLER	1	1	10
●	35920350	BUSHING,HEAT ROLLER	2	2	10
●	35923010	FAN,COOLING	3	3	12,13
	35927290	SENSOR,ORIGINAL DETECTION	1	1	14
●	35927420	SWITCH,SIZE	2	2	2,9
	36505111	LABEL,TONER DISPOSAL TANK	1	1	14
	45727502	GEAR,TONER MOTOR	1	1	2
	45729401	GEAR 20,S.B	3	3	11
	48128107	PIN,CLEANING BLADE	1	1	1
	48129208	PIN,TENSION	1	1	2
	48527200	SPRING,CHARGER	1	1	9
	48528216	SPRING,PAPER GUIDE	1	1	10
●	49028101	BUSH 8	5	5	4
	49028113	BUSHING 6-19,DEV.UNIT	2	2	9
	49628105	RECEIVER,MAGNET	1	1	2
●	60606101	BUSHING FEED BACK ROLLER	2	2	5
	63505130	LABEL,RAIL	1	1	9
	63516160	SPRING,TRANSFORMER TERMINAL	2	2	8
	63706260	SPRING,STACK BYPASS GEAR	5	5	10
●	63720211	THERMOSTAT,FIXING	1	1	10
	63814060	GEAR 20,AGITATION	1	1	9
	63818250	REAR BUSHING,TONER DISPOSAL ROLLER	2	2	9

• Parts with "●" indicates the Service parts.

SP	Part. No.	Description	Quantity		Fig. No.
			230V	240V	
●	65027360	SWITCH,EMPTY	1	1	4
	65027470	CORE,7-15X18	1	1	7
	65027480	CORE,9-20X32	1	1	12
	65907480	SLIDER,CASSETTE	2	2	14
	65914120	GEAR 18,IDLE DEVELOPING	1	1	4
●	66022190	GEAR,21 DEVELOPING	1	1	10
●	66260030	BASE RUBBER,Sorter	2	2	2
	68802070	SPRING A,LIFT UP	1	1	3
	68802160	SPRING,RETAINING	6	6	5
	68814720	SPRING B,DOCTOR BLADE	1	1	10
●	68822330	BEARING,DRIVE	2	2	11
	71804400	MAGNET,LOWER FRONT COVER	2	2	1
	71821390	IDLE GEAR 48	1	1	2
●	72127100	PI SWITCH,OPTICAL SECTION	1	1	7
	72320210	LOWER GEAR, EJECT IDLE	1	1	9
	72914480	REAR BUSHING,DEVELOPING ROLLER (B)	2	2	7
	72919050	GEAR 12/15,RECYCLE SECTION	1	1	9
●	73210370	GEAR 18,LOOP	1	1	5
●	73210450	BUSH, 6	3	3	4,11
	73818100	SPRING, BLADE THRUST	2	2	2
●	73922250	IDLE GEAR A,PF SECTION	1	1	10
●	76202270	LEFT BUSHING FULCRUM SHAFT	2	2	5
	76508130	SPRING BELT GUIDE ROLLER	1	1	3
●	77906200	CASSETTE CATCHER	1	1	2
●	77906210	CASSETTE STOPPER	1	1	3
●	79904140	ORIGINAL HOLDER SPACER	2	2	6
	J0074010	POSITIVE CONNECTOR,#250,172076-1	2	2	12
	J0074910	POSITIVE CONTACTOR,#250,170334-1	2	2	12
	J0110020	PLUG 2P,MINI MATENLOCK,VO,172165-1	1	1	12
	J0455020	CASE,DF3-2EP-2A(HIROSE)	1	1	2
	L0023070	ROUND TYPE TERMINAL,173636-1	1	1	12
	M1658010	FUSE,218008(LITTEL-FUSE)	2	2	12
	M2104200	EDGING EDS-1	1	1	12
	M2104210	EDGING,EDS-2	2	2	7
	M2104220	EDGING,EDS-1717U	5	5	7,12
	M2104350	EDGING,EDS-0607M(KITAGAWA)	4	4	2,11,12
	M2105400	CLAMP,K-103G	2	2	12
	M2105730	MINIATURE CLAMP,UAMS-07-0	4	4	11,12
	M2105740	MINIATURE CLAMP,UAMS-05S-2	2	2	14
	M2107240	BAND,KI-100(KITAGAWA)	1	1	12

SP	Part. No.	Description	Quantity		Fig. No.
			230V	240V	
	M2108700	SPACER,KGLS-8RF	4	4	12
	M2109000	WIRE SADDLE,WS-1NS	3	3	12
	M2109010	WIRE SADDLE,WS-2NS	6	6	2,11,12,14
	M2109340	WIRE SADDLE,YMC-05-0(KITAGAWA)	2	2	14
	M2407010	BINDING BAND SK,SKB-100	2	2	12
	M5554020	FUSE,SS1-250V-4A(SOC)	1	1	12
●	NAS09010	BACKUP RAM M48Z35Y-70PC	1	1	14

• Parts with "●" indicates the Service parts.

CLASSIFICATION OF THE SCREWS IN ILLUSTRATION

<u>REF.</u>	<u>ITEM #</u>	<u>DESCRIPTION</u>	<u>REF.</u>	<u>ITEM #</u>	<u>DESCRIPTION</u>
BBB	B1303050	BINDING SCREW BVM3X5 (BLACK)	HAT	B4144080	+TP TAP-TITE P SCREW(CHROMIUM)
BBK	B1303060	BINDING SCREW BVM3X6 (BLACK)	HAU	B4043080	TRIPLE TAP-TITE P SCREW M3X08
BEA	B1603050	BINDING SCREW M3X5 (BRASS,NI)	HBH	B4303060	TRIPLE SCREW M3X6 (BLACK)
BHI	B3313080	BINDING TAP-TITE SCREW M3X08	HBI	B4303080	TRIPLE SCREW M3X8(BLACK)
BIA	B8024350	BINDING TAP-TIGHT B SCREW M4X35	HCB	B4103050	TRIPLE SCREW M3X05(CHROMIUM)
BIB	B3310100	+BINDING TAP-TIGHT P BRONZE SCREW M2.3X10	HCJ	B4104100	TRIPLE SCREW M4X10(CHROMIUM)
BMF	B1003140	BINDING SCREW CVM3X14	HCL	B4103060	TRIPLE SCREW M3X06(CHROMIUM)
BVV	B1324080	BINDING SCREW WITH SW (BLACK) M4X8	HDB	B4343080	TRIPLE TAP-TITE P SCREW M3X08(BLACK)
CIB	B8073080	FLAT HEAD TAP-TITE P SCREW M3X08	HDC	B4344080	TRIPLE TAP-TITE P SCREW M4X08(BLACK)
DJW	B5393030	W-POINT SET SCREW M3X3	HDG	B4343100	TRIPLE TAP-TITE P SCREW M3X10(BLACK)
E03	D1000300	STOP RING (E-3)	KAK	E0020080	SPRING PIN 2X8
E05	D1000500	STOP RING (E-5)	KAL	E0020100	SPRING PIN 2X10
E07	D1000700	STOP RING (E-7)	KAM	E0020120	SPRING PIN 2X12
GEA	B9604080	GROUNDING SCREW M4X8 (BRASS,N;)	KKG	E0030160	SPRING PIN 3X16
HAD	B4003050	TRIPLE SCREW M3X05	NBA	C1303000	NUT M3 (BLACK)
HAO	B4043080	TRIPLE TAP-TITE P SCREW M3X08	WAD	C2005120	PLAIN WASHER PWM5
HAQ	B4043100	TRIPLE TAP-TITE P SCREW M3X10			

KYOCERA MITA EUROPE B.V.

Hoeksteen 40, 2132 MS Hoofddorp,
The Netherlands
Phone: (020) 6540000
Home page: <http://www.kyoceramita-europe.com>
Email: info@kyoceramita-europe.nl

KYOCERA MITA NEDERLAND B.V.

Hoeksteen 40, 2132 MS Hoofddorp,
The Netherlands
Phone: (020) 5877200

KYOCERA MITA (UK) LIMITED

8 Beacontree Plaza
Gillette Way,
Reading RG2 0BS UK
Phone: (0118) 931 1500

KYOCERA MITA ITALIA S.P.A.

Via Marconi 8, 20041 Agrate Brianza,
Milano, Italy
Phone: (039) 65641

S.A. KYOCERA MITA BELGIUM N.V.

Hermesstraat 8A 1930 Zaventem, Belgium
Phone: (02) 7209270

KYOCERA MITA FRANCE S.A.

Parc les Algorithmes
SAINT AUBIN
91194 GIF-SUR-YVETTE
France
Phone: (01) 69852600

KYOCERA MITA ESPAÑA S.A.

Edificio Mita, Avda. De Manacor Nº 2,
Urb. Parque Rozas, Apartado De Correos 76,
28230 Las Rozas, Madrid, Spain
Phone: 34-91-631-8392

KYOCERA MITA FINLAND OY

Kirvesmiehenkatu 4, 00810 Helsinki,
Finland
Phone: (09) 478 05200

KYOCERA MITA (SCHWEIZ) AG

Hölzliwisen Industriestrasse 28,
8604 Volketswil, Switzerland
Phone: (01) 9084949
KYOCERA MITA DEUTSCHLAND GMBH
Industriestrasse 17, D-61449 Steinbach/TS,
Germany
Phone: (06171) 7005-0

KYOCERA MITA GMBH AUSTRIA

Eduard Kittenberger Gasse 95
A-1230 Wien, Austria
Phone: (01) 86338 210

KYOCERA MITA SVENSKA AB

Siktgatan 2
162 26 Vällingby, Sweden
Phone: (08) 4719999

KYOCERA MITA DANMARK A/S

Industrivej 11, DK-4632 Bjæverskov,
Denmark
Phone: 56871100

KYOCERA MITA PORTUGAL LDA.

CASCAISTOCK-Armazem nº8,
Rua das Fiskas, Alcoitão,
2765 Estoril, Portugal
Phone: 1-4602221

KYOCERA MITA SOUTH AFRICA (PTY) LTD.

Unit 3, "KYALAMI CRESCENT",
KYALAMI BUSINESS PARK,
1685 Midrand, South Africa
Phone: (011) 4663290

KYOCERA MITA AMERICA, INC.

Headquarters:
225 Sand Road, P.O. Box 40008
Fairfield, New Jersey 07004-0008
U.S.A.
Phone: (973) 808-8444

KYOCERA MITA ASIA OCEANIA SALES DIVISION

2-28, 1-chome, Tamatsukuri, Chuo-ku,
Osaka 540-8585, Japan
Phone: (06) 6764-3668

KYOCERA MITA AUSTRALIA PTY.LTD.

P.O. Box 211,
Regents Park Estate Unit 2,
Block V 391 Park Road,
Regents Park N.S.W. 2143, Australia
Phone: 61-2-9645-5100

KYOCERA MITA NEW ZEALAND LTD.

5 Howe Street, Newton, Auckland 1,
P.O. Box 68343,
Auckland, New Zealand
Phone: (09) 377-2088

KYOCERA MITA (THAILAND) CORP., LTD.

9/209 Ratchada-Prachacheun Road,
Bang Sue, Bangkok 10800, Thailand
Phone: (02) 586-0333

KYOCERA MITA SINGAPORE PTE LTD.

121 Genting Lane, 3rd. Level,
Singapore 349572
Phone: 65-7418733

KYOCERA MITA HONG KONG LIMITED.

11/F., Mita Centre,
552-566 Castle Peak Road,
Tsuen Wan, New Territories,
Hong Kong
Phone: 852-2423-2163

KYOCERA MITA CORPORATION

2-28, 1-chome, Tamatsukuri, Chuo-ku,
Osaka 540-8585, Japan
Phone: (06) 6764-3555
Fax: (06) 6764-3981

© 2001 KYOCERA MITA CORPORATION

 is a trademark of Kyocera Corporation

mita is a registered trademark of KYOCERA MITA CORPORATION

Printed in Holland